



Conecta

SALICE

Conecta - Concealed hinge

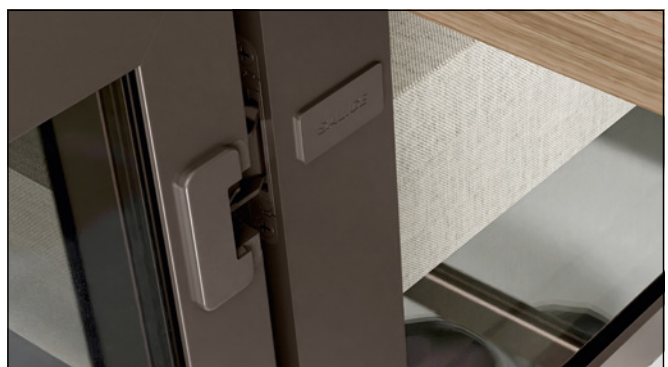


A perfect synthesis of compactness and adaptability. **Conecta** is the totally innovative Salice hinge that is completely hidden inside the door and the side of the cabinet. Its technical characteristics allow it to manage the opening and closing movements with precision and fluidity even with large and heavy furniture doors in both wood and aluminium.

The **Conecta** hinge, with its 94° opening, is fully adjustable in three directions by cam adjusters and is also available with an integrated soft close mechanism for decelerated closing.



Its refined aesthetics, completed by customisable cover caps available for both the door and the side of the cabinet and by the elegant nickel-plated and titanium finishes, combined with the high build quality, make the **Conecta** hinge suitable for applications with exceptional elegance and functionality.

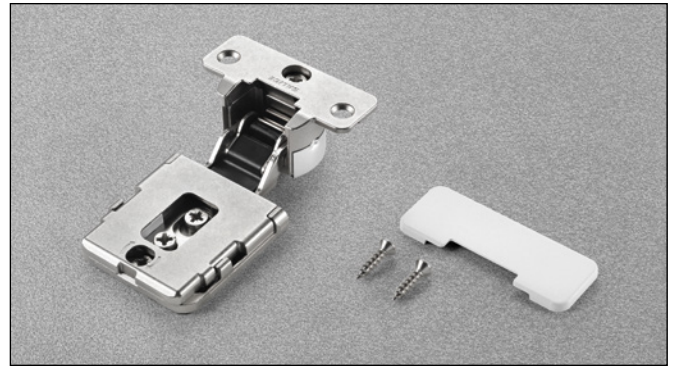


Conecta • Hinge for wooden doors

Concealed CQA3JE hinge with recessed insertion in the door and in the side.

**Door overlay on the side 10 mm with holder DQG5
Door overlay on the side 12,5 mm with holder DQG3**

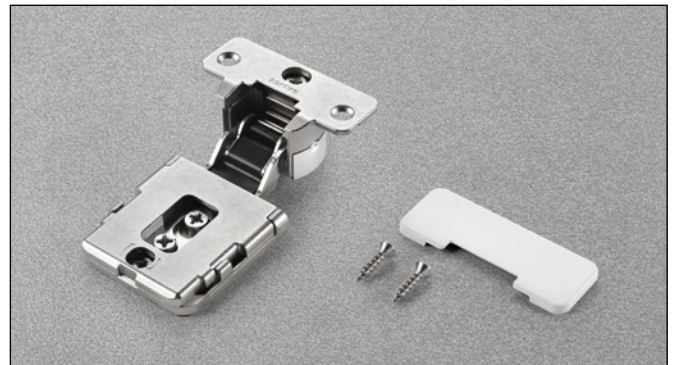
Sideways adjustment -1 +2 mm
Height adjustment -2,5 +2,5 mm
Depth adjustment 0 +3 mm



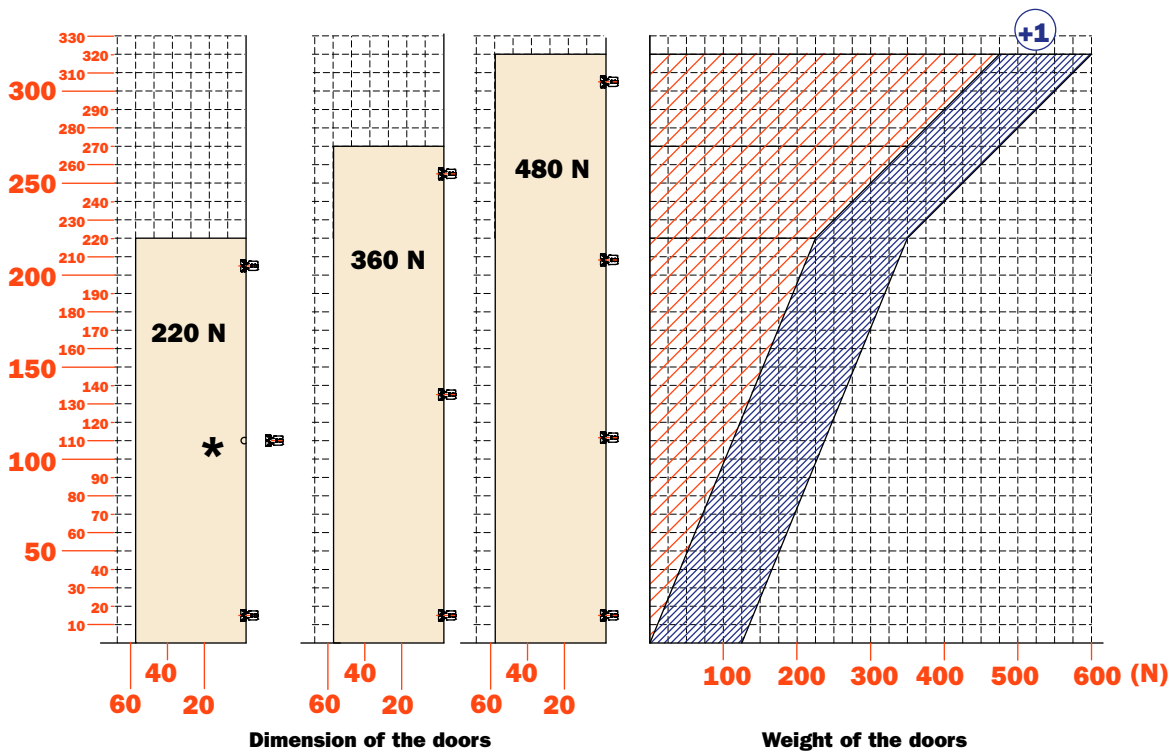
Concealed CQA3KE hinge with recessed insertion in the door and in the side.

**Door overlay on the side 14 mm with holder DQG5.
Door overlay on the side 16,5 mm with holder DQG3.**

Sideways adjustment -1 +2 mm
Height adjustment -2,5 +2,5 mm
Depth adjustment 0 +3 mm



Approx. number of hinges required according to the door dimension and weight



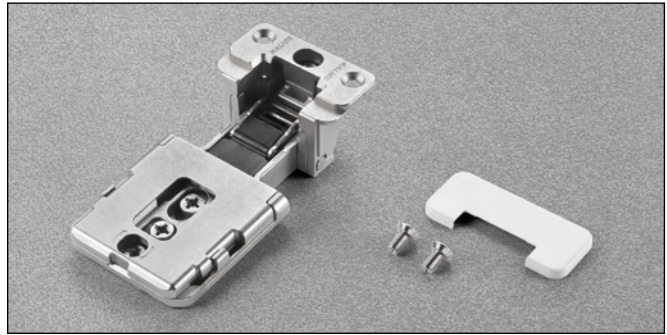
* The addition of one hinge in the centre of the door contributes to its rigidity

Conecta • Hinge for aluminium-framed doors

Concealed CQZ3JE hinge with recessed insertion in the door and in the side.

Door overlay on the side 10 mm with holder DQG5
 Door overlay on the side 12,5 mm with holder DQG3

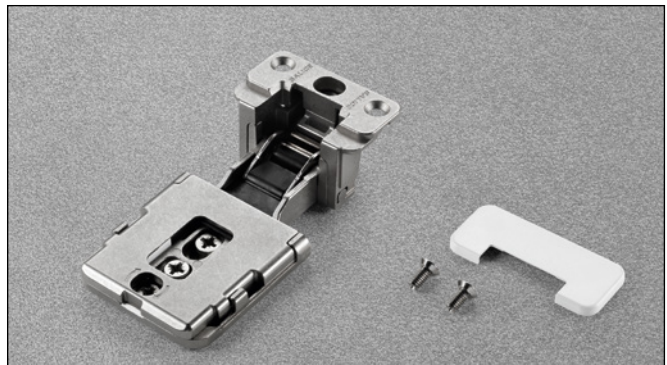
Sideways adjustment -2 +0,5 mm
 Height adjustment -2,5 +2,5 mm
 Depth adjustment 0 +3 mm



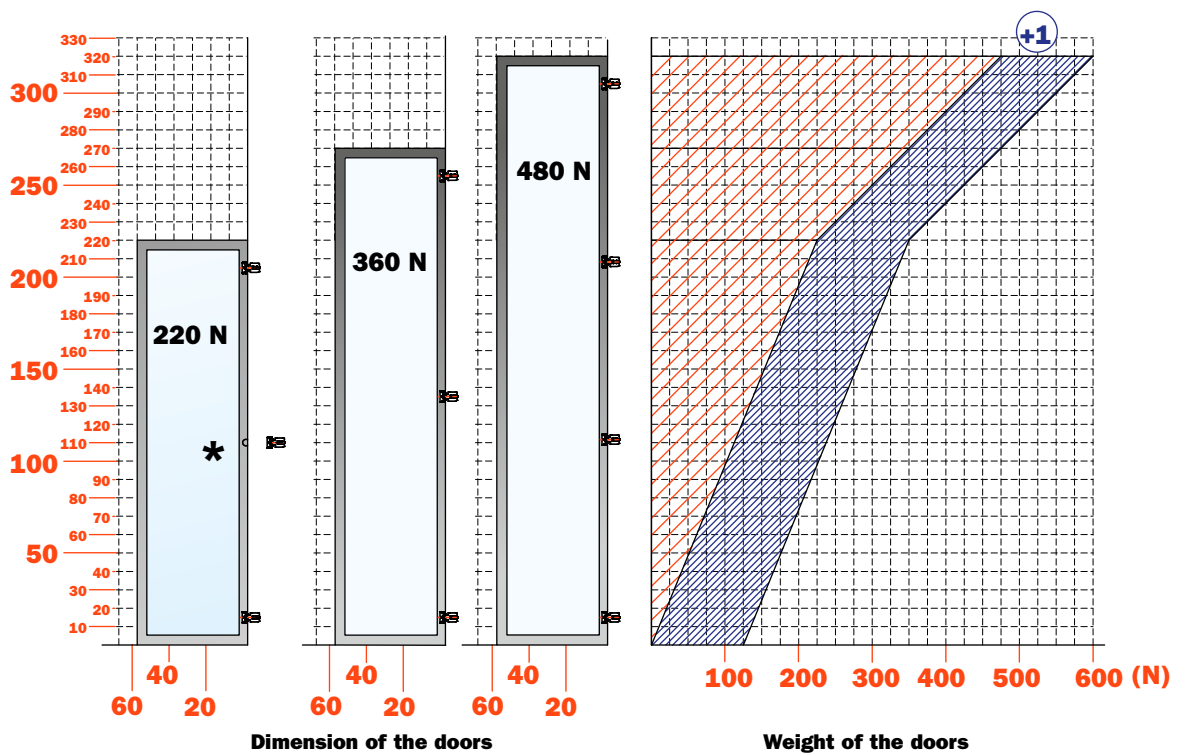
Concealed CQZ3KE hinge with recessed insertion in the door and in the side.

Door overlay on the side 14 mm with holder DQG5.
 Door overlay on the side 16,5 mm with holder DQG3.

Sideways adjustment -2 +0,5 mm
 Height adjustment -2,5 +2,5 mm
 Depth adjustment 0 +3 mm

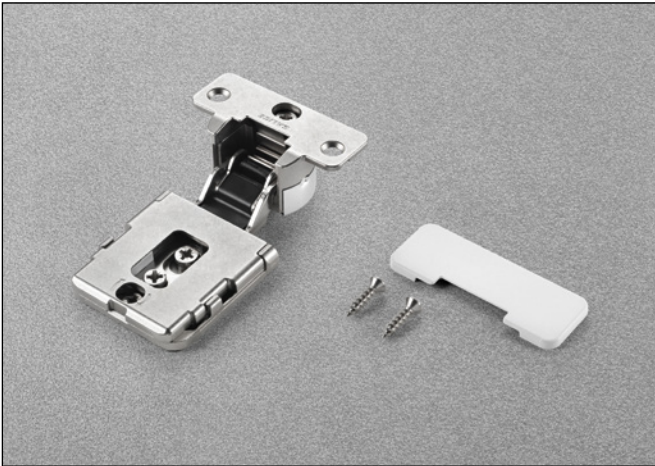


Approx. number of hinges required according to the door dimension and weight



* The addition of one hinge in the centre of the door contributes to its rigidity

Conecta • Hinge for wooden doors

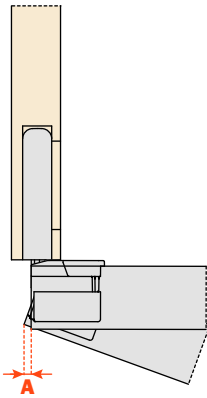


Technical features

Concealed Conecta CQA3JE hinge with recessed insertion in the door and in the side.

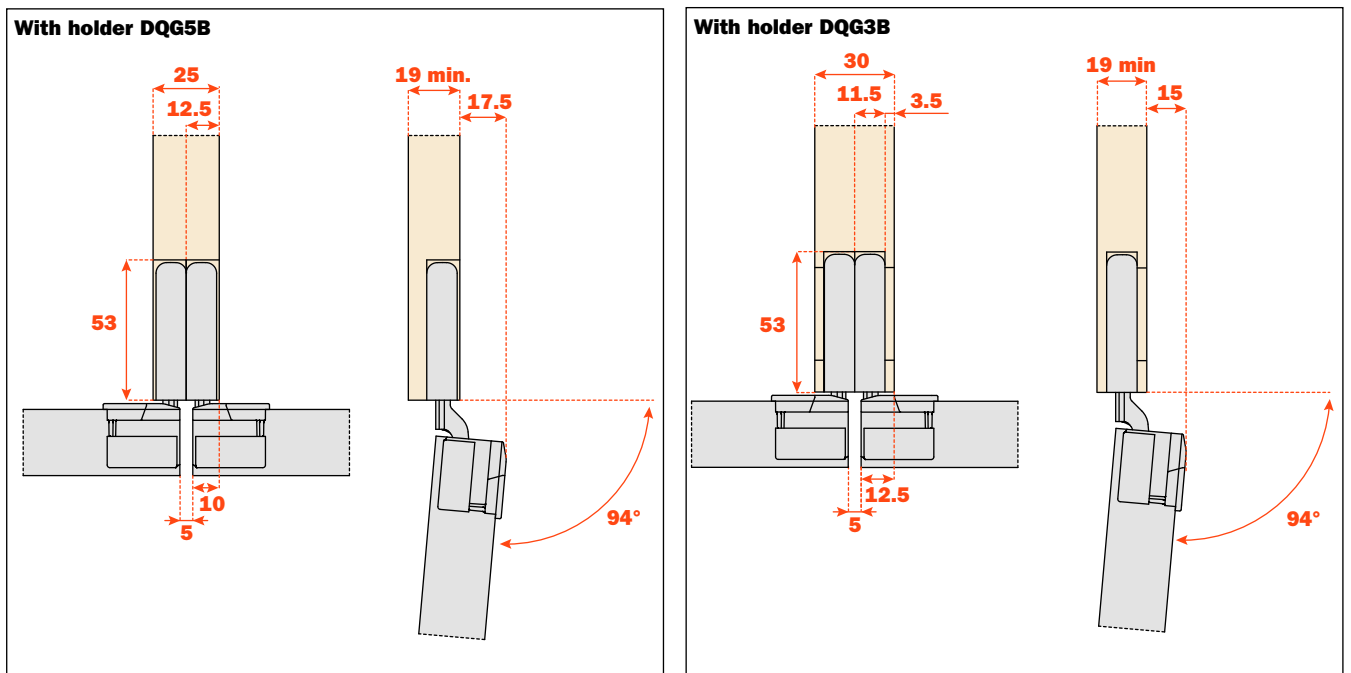
- Rapid fixing of the door to the cabinet side
- 22 mm deep metal cup
- Drilling distance fixed at 10 mm from the edge of the door to the centre of the hole
- Diameter 35 mm
- L = 3,5 mm
- 94° opening

Space needed to open the door



| | | | | | | |
|----|-----|-----|-----|-----|-----|-----|
| T= | 25 | 26 | 27 | 28 | 29 | 30 |
| A= | 2.4 | 3.1 | 4.0 | 4.7 | 5.5 | 6.3 |

Fixing into the side and projection of the door



Workings on door and cabinet

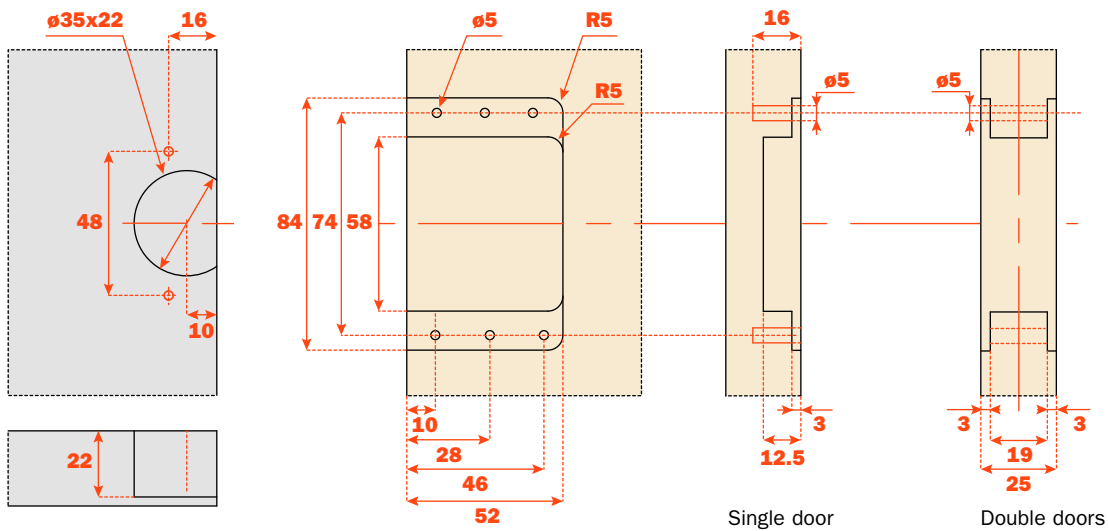
Holder DQG5B



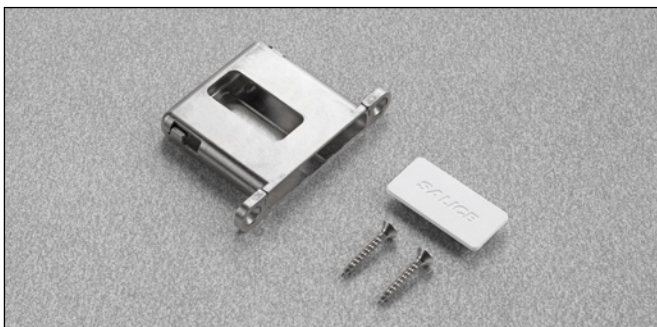
- For single door
- For double doors and side thickness 25 mm

To be screw-fixed to the cabinet side:

- For single door with Euro screws, drilling $\varnothing 5 \times 16$ mm
- For double doors with $\varnothing 5$ mm interscrews
- Fixing screws and cover caps included in the single packing
- Fixing screws included in the industrial packing



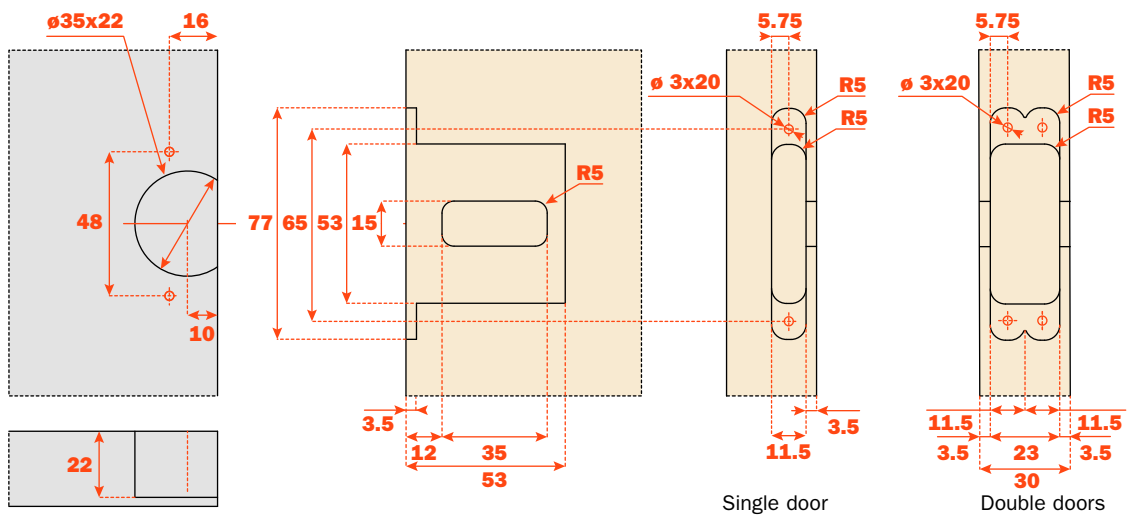
Holder DQG3B



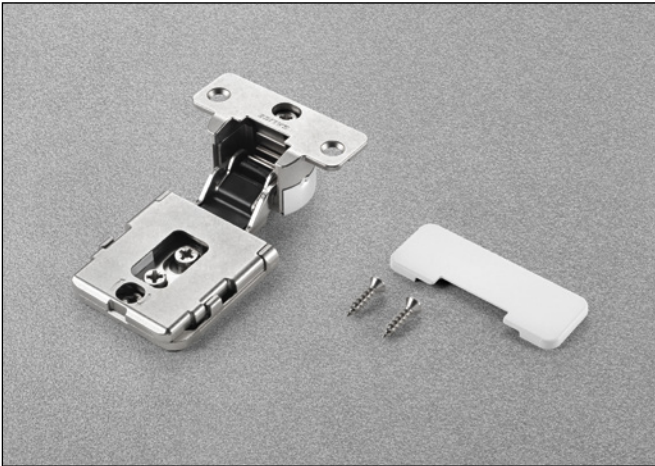
- For single door
- For double doors and side thickness 30 mm

To be screw-fixed to the cabinet side:

- For single door and for double doors with screws $\varnothing 4 \times 25$ mm
- Fixing screws and cover caps included in the single packing
- Fixing screws included in the industrial packing



Conecta • Hinge for wooden doors

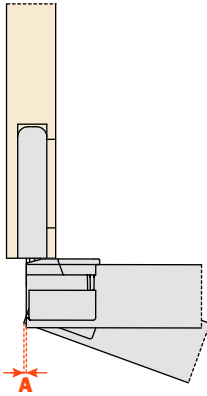


Technical features

Concealed Conecta CQA3KE hinge with recessed insertion in the door and in the side.

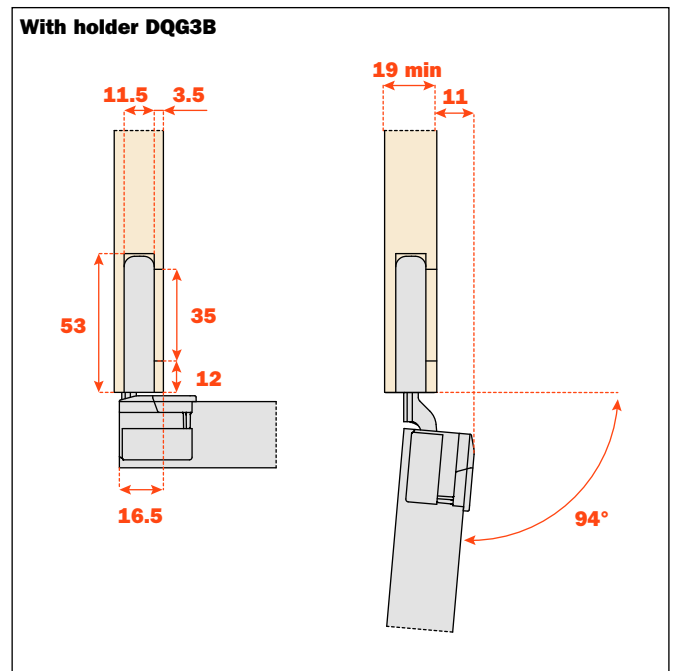
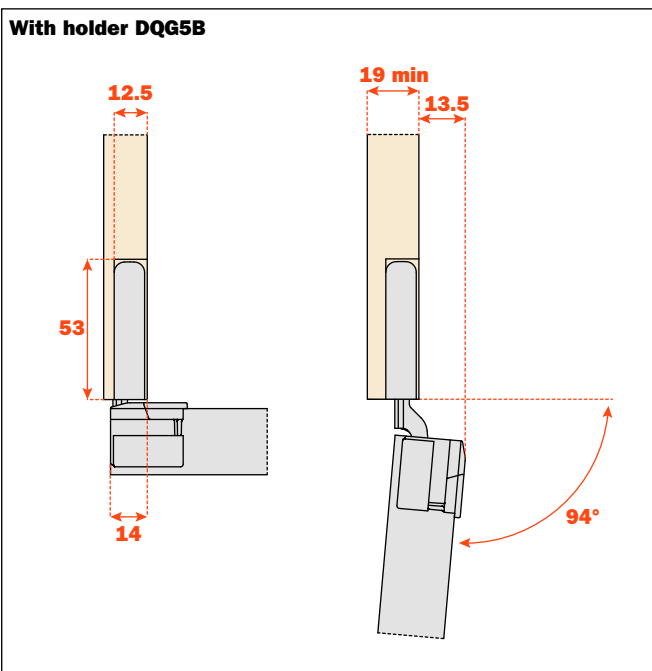
- Rapid fixing of the door to the cabinet side
- 22 mm deep metal cup
- Drilling distance fixed at 10 mm from the edge of the door to the centre of the hole
- Diameter 35 mm
- L = 3,5 mm
- 94° opening

Space needed to open the door



| | | | | | | |
|----|-----|-----|-----|-----|-----|-----|
| T= | 25 | 26 | 27 | 28 | 29 | 30 |
| A= | 2.4 | 3.1 | 4.0 | 4.7 | 5.5 | 6.3 |

Fixing into the side and projection of the door



Workings on door and cabinet

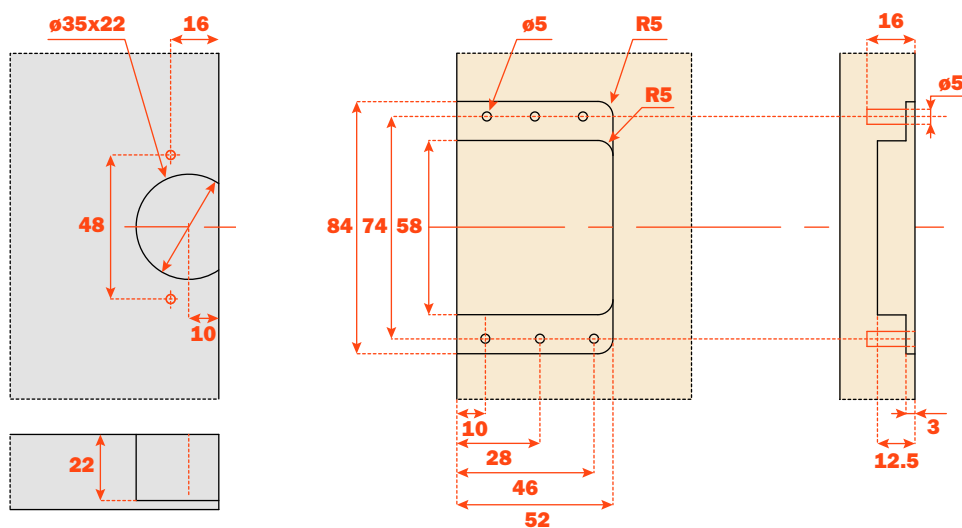
Holder DQG5B



- For single door

To be screw-fixed to the cabinet side:

- For single door with Euro screws, drilling $\varnothing 5 \times 16$ mm
- Fixing screws and cover caps included in the single packing
- Fixing screws included in the industrial packing



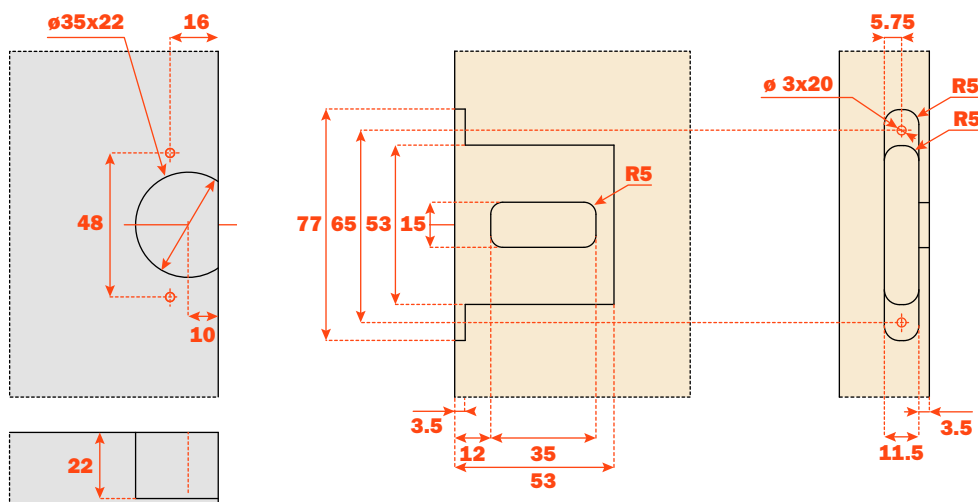
Holder DQG3B



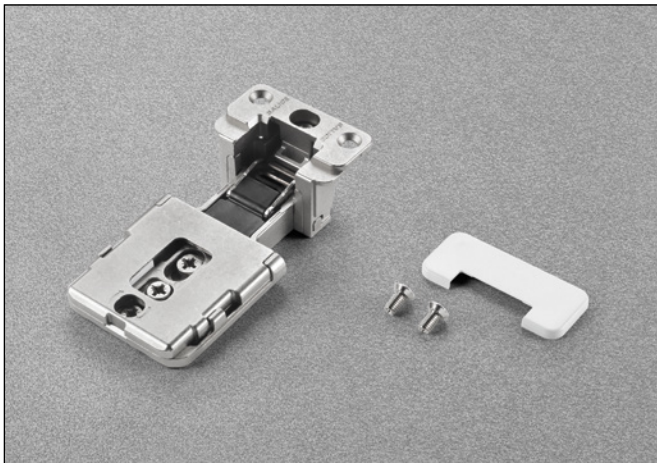
- For single door

To be screw-fixed to the cabinet side:

- For single door with screws $\varnothing 4 \times 25$ mm
- Fixing screws and cover caps included in the single packing
- Fixing screws included in the industrial packing



Conecta • Hinge for aluminium-framed doors

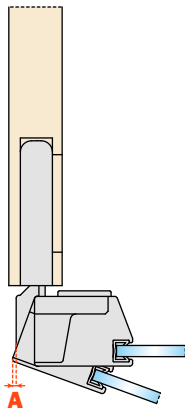


Technical features

Concealed Conecta CQZ3JE hinge with recessed insertion in the door and in the side

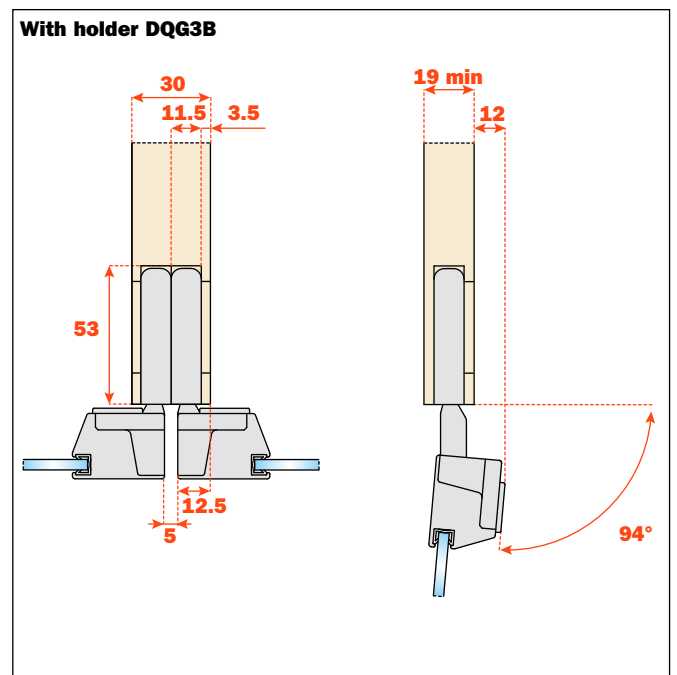
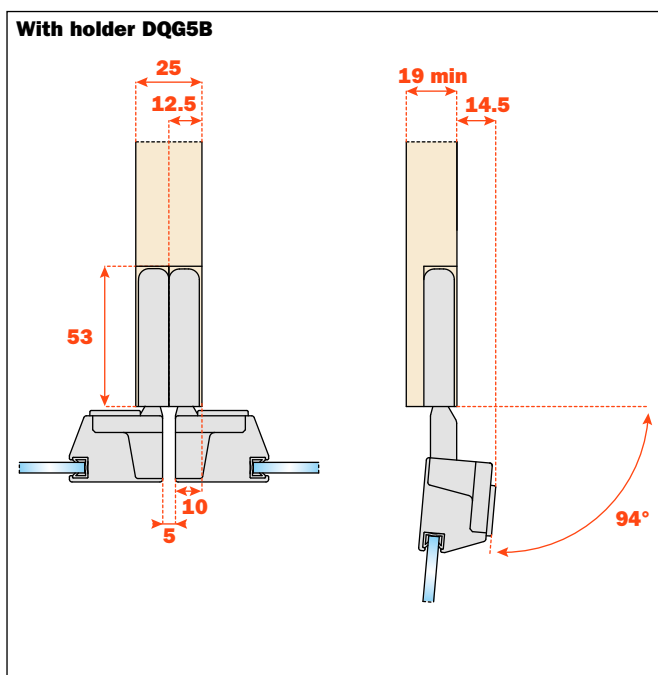
Rapid fixing of the door to the cabinet side
 For aluminium-framed doors
 24 mm deep metal cup
 L = 3,5 mm
 94° opening

Space needed to open the door



| | | | | | | |
|----|-----|-----|-----|-----|-----|-----|
| T= | 25 | 26 | 27 | 28 | 29 | 30 |
| A= | 2.4 | 3.3 | 4.2 | 5.2 | 6.1 | 7.1 |

Fixing into the side and projection of the door



Workings on door and cabinet

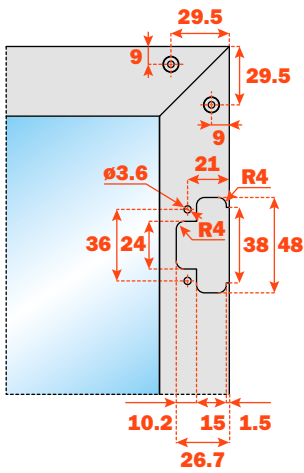
Holder DQG5B



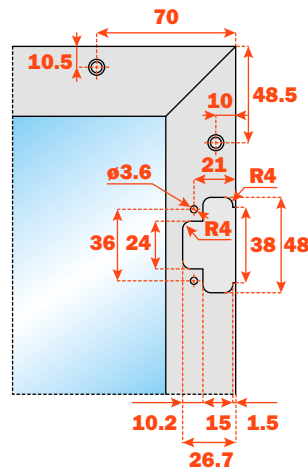
- For single door
- For double doors and side thickness 25 mm

To be screw-fixed to the cabinet side:

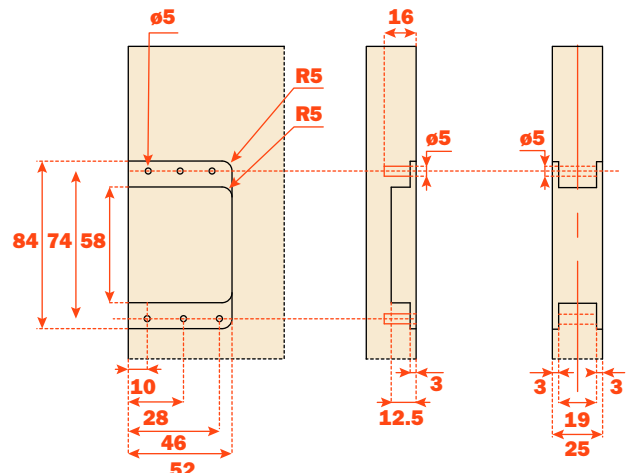
- For single door with Euroscrews, drilling $\phi 5 \times 16$ mm
- For double doors with $\phi 5$ mm interscrews
- Fixing screws and cover caps included in the single packing
- Fixing screws included in the industrial packing



Drilling with corner connector
DQZ3HS5V04



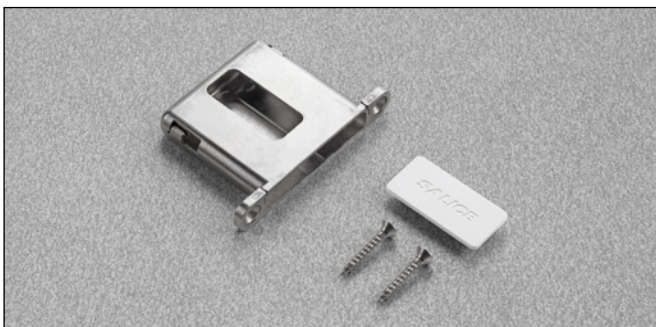
Drilling with corner connector
DEL6BSFV02



Single door

Double doors

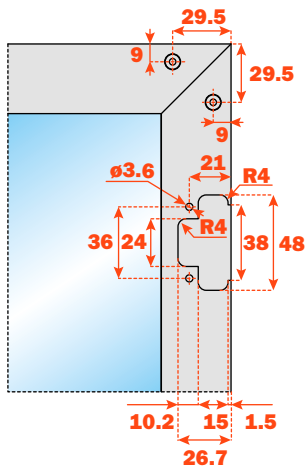
Holder DQG3B



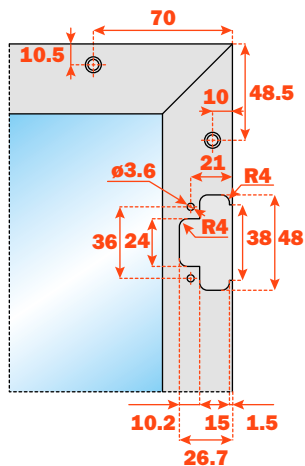
- For single door
- For double doors and side thickness 30 mm

To be screw-fixed to the cabinet side:

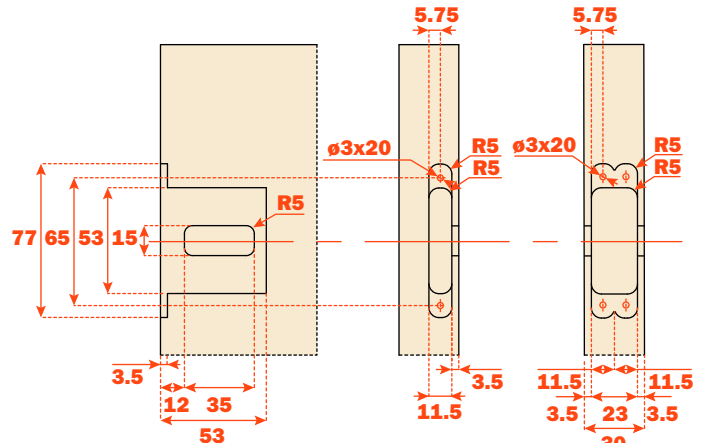
- For single door and for double doors with screws $\phi 4 \times 25$ mm
- Fixing screws and cover caps included in the single packing
- Fixing screws included in the industrial packing



Drilling with corner connector
DQZ3HS5V04



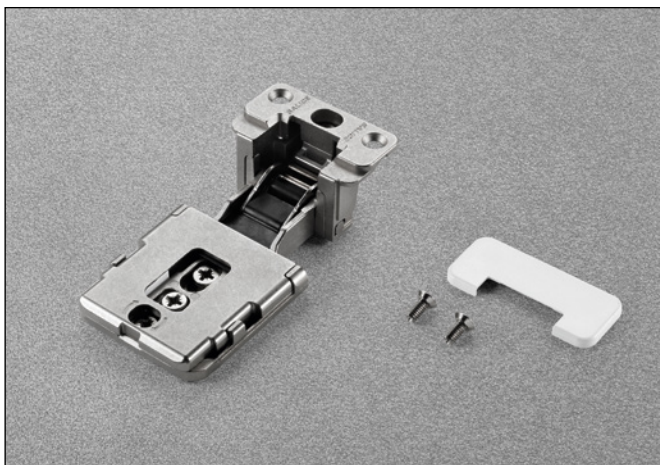
Drilling with corner connector
DEL6BSFV02



Single door

Double doors

Conecta • Hinge for aluminium-framed doors

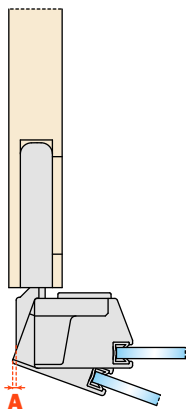


Technical features

Concealed Conecta CQZ3KE hinge with recessed insertion in the door and in the side

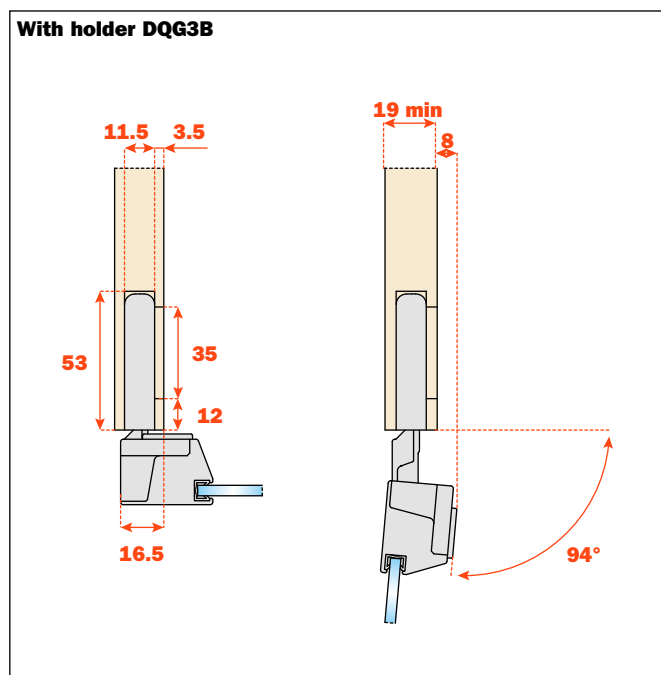
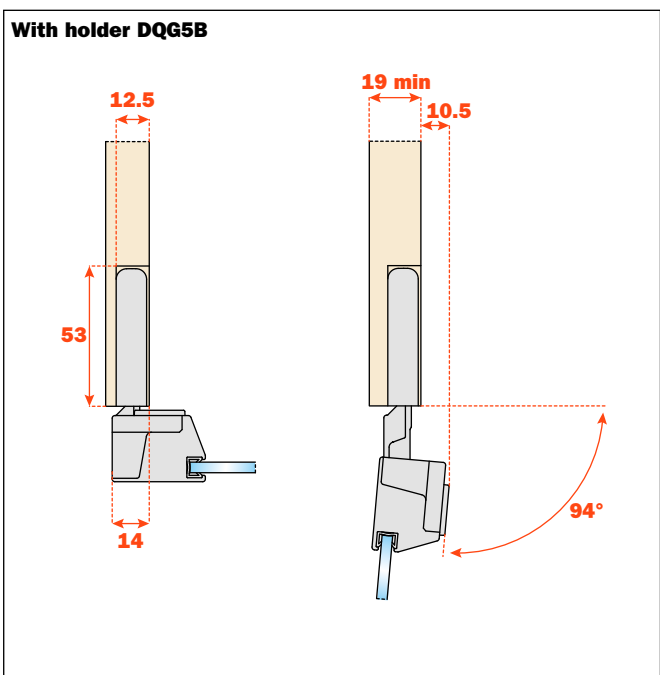
- Rapid fixing of the door to the cabinet side
- For aluminium-framed doors
- 24 mm deep metal cup
- L = 3,5 mm
- 94° opening

Space needed to open the door



| | | | | | | |
|----|-----|-----|-----|-----|-----|-----|
| T= | 25 | 26 | 27 | 28 | 29 | 30 |
| A= | 2.4 | 3.3 | 4.2 | 5.2 | 6.1 | 7.1 |

Fixing into the side and projection of the door



Workings on door and cabinet

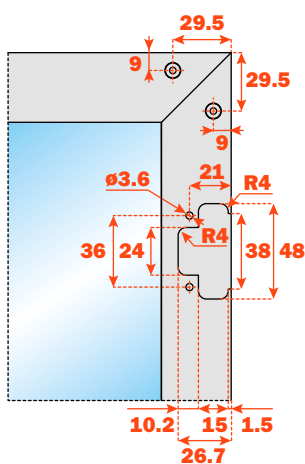
Holder DQG5B



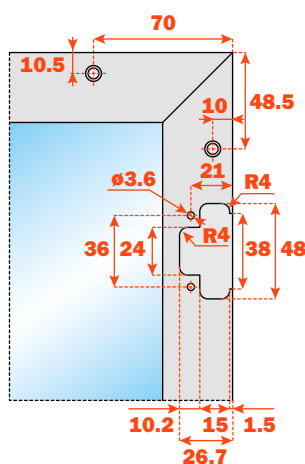
- For single door

To be screw-fixed to the cabinet side:

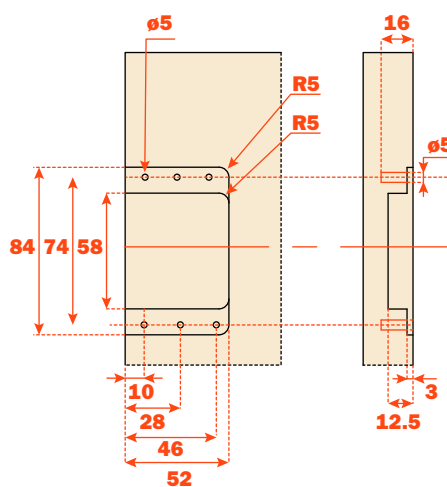
- For single door with Euro screws, drilling $\varnothing 5 \times 16$ mm
- Fixing screws and cover caps included in the single packing
- Fixing screws included in the industrial packing



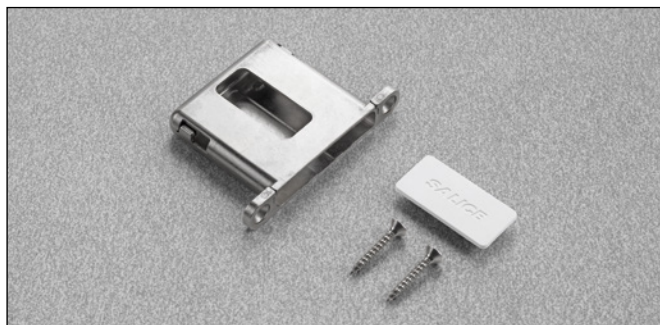
Drilling with corner connector
DQZ3HS5V04



Drilling with corner connector
DEL6BSFV02



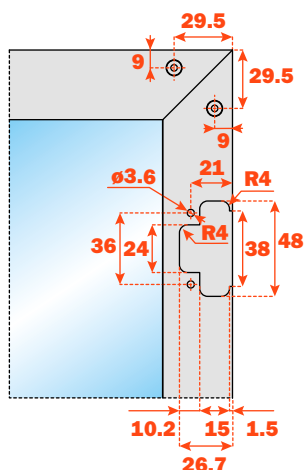
Holder DQG3B



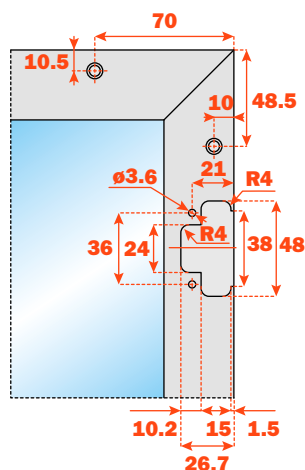
- For single door

To be screw-fixed to the cabinet side:

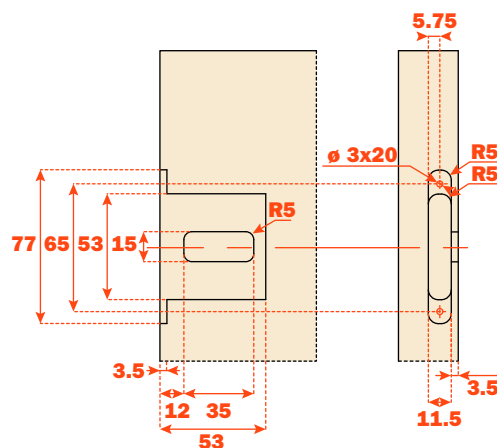
- For single door with screws $\varnothing 4 \times 25$ mm
- Fixing screws and cover caps included in the single packing
- Fixing screws included in the industrial packing



Drilling with corner connector
DQZ3HS5V04

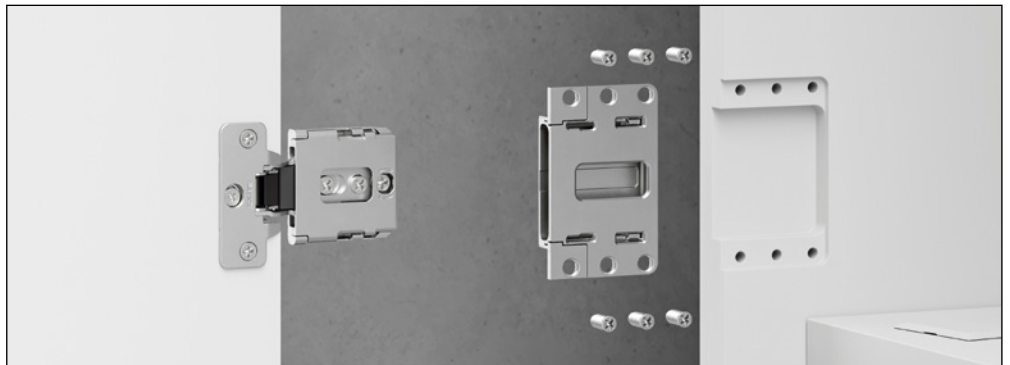


Drilling with corner connector
DEL6BSFV02

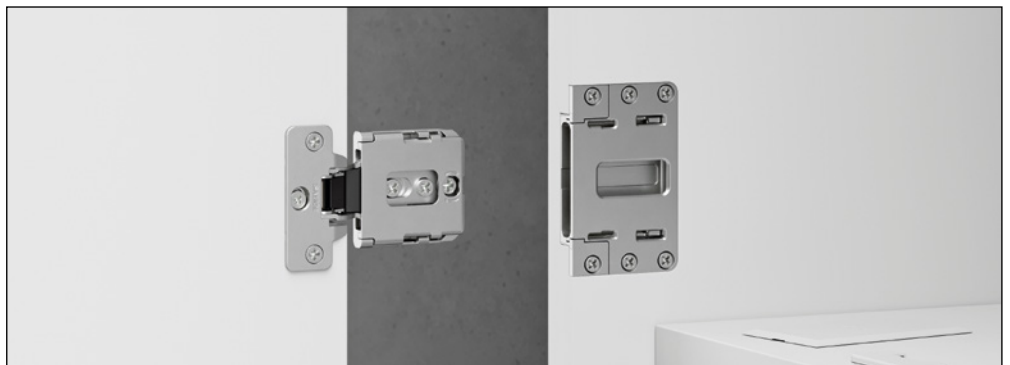


Conecta • Assembly • Single door with holder DQG5B

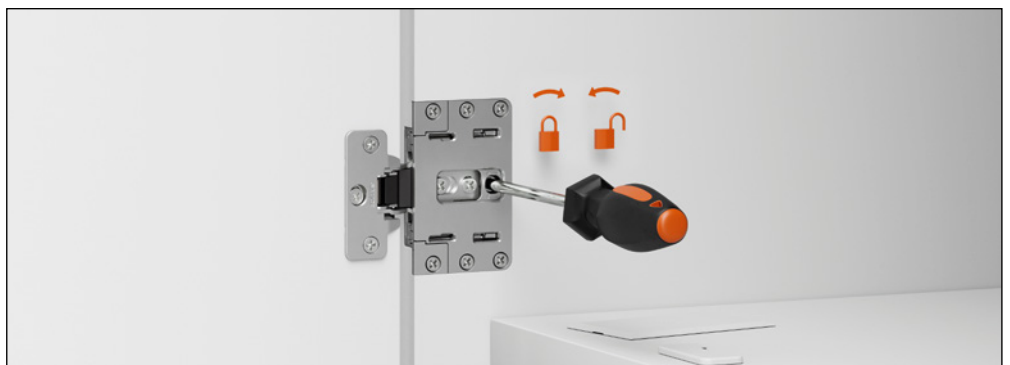
Fix the holder to the cabinet side using the Euroscrews



Insert the hinge into the holder



Lock the hinge into place using the back cam



Apply the flange and the screw cover caps



Double doors with holder DQG5B

Fix the holders to the cabinet side using the interscrews



Insert the hinges into the holders



Lock the hinges into place using the back cam

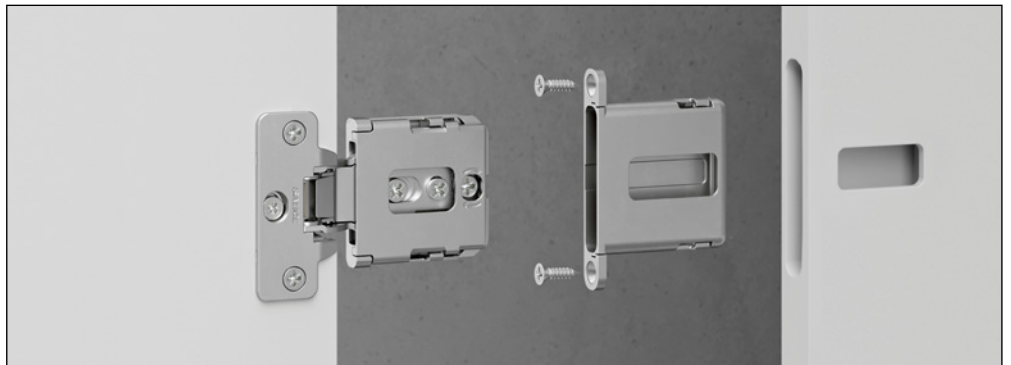


Apply the flange and the screw cover caps

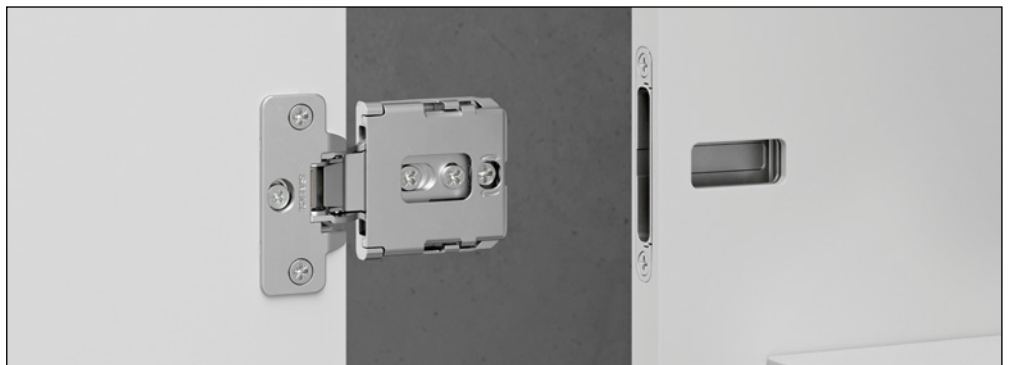


Conecta • Assembly • Single door with holder DQG3B

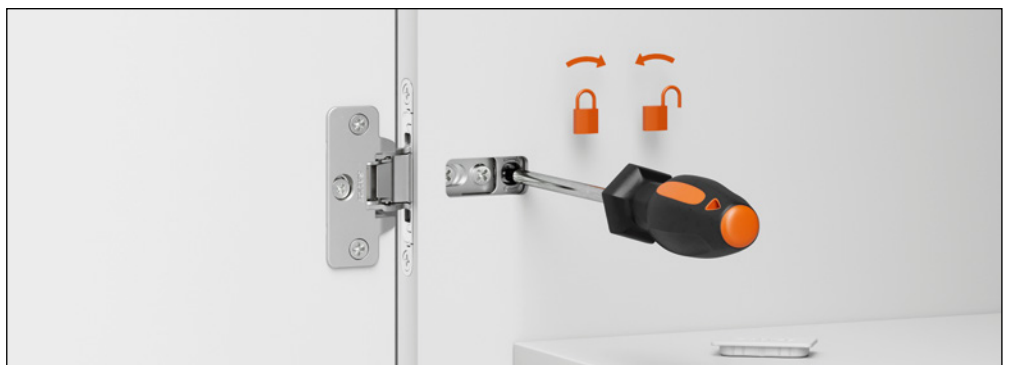
Fix the holders to the cabinet side using the woodscrews



Insert the hinge into the holder



Lock the hinge into place using the back cam

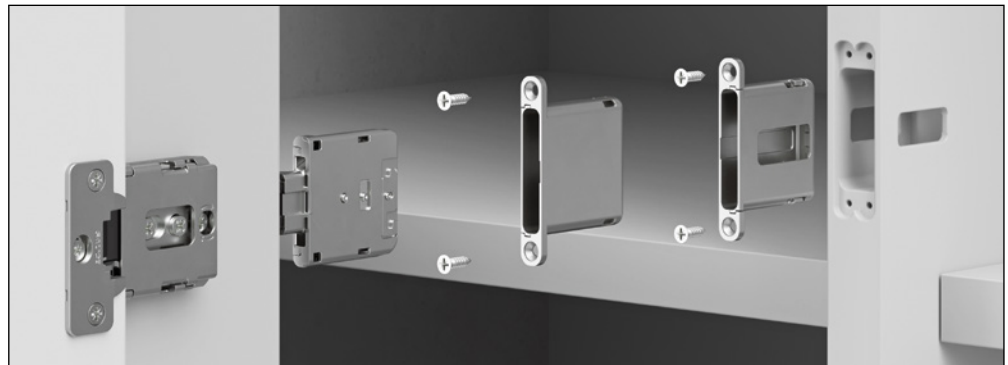


Apply the flange and the screw cover caps



Double doors with holder DQG3B

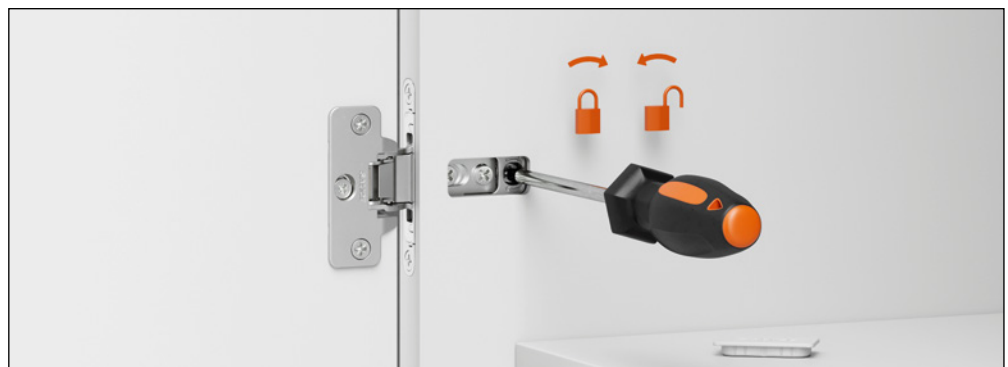
Fix the holders to the cabinet side using the woodscrews



Insert the hinges into the holders



Lock the hinges into place using the back cam

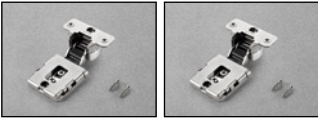


Apply the flange and the screw cover caps

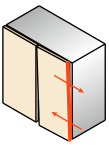
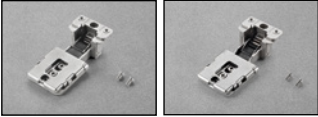


Conecta - Adjustments • Holder DQG5B

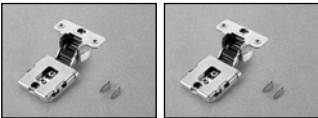
Sideways adjustment for hinge
for wooden doors:
from -1 to +2



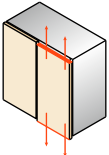
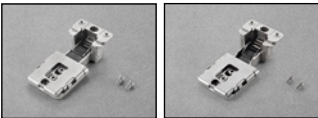
Sideways adjustment for hinge
for aluminium-framed doors:
from -2 to +0,5



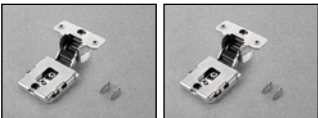
Height adjustment for hinge
for wooden doors:
from -2,5 to +2,5



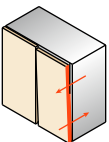
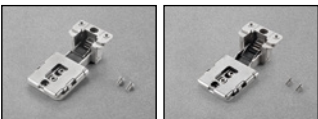
Height adjustment for hinge
for aluminium-framed doors:
from -2,5 to +2,5



Depth adjustment for hinge
for wooden doors:
from 0 to +3

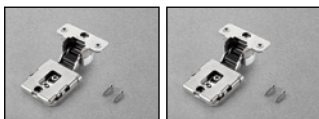


Depth adjustment for hinge
for aluminium-framed doors:
from 0 to +3

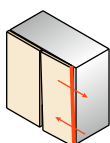
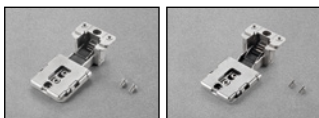


Holder DQG3B

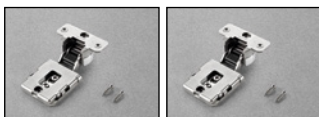
Sideways adjustment for hinge
for wooden doors:
from -1 to +2



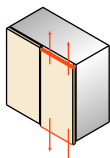
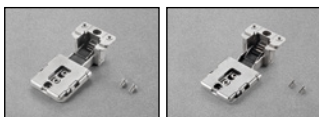
Sideways adjustment for hinge
for aluminium-framed doors:
from -2 to +0,5



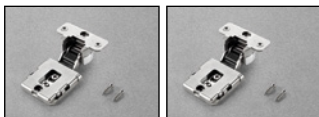
Height adjustment for hinge
for wooden doors:
from -2,5 to +2,5



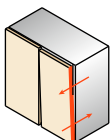
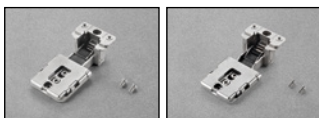
Height adjustment for hinge
for aluminium-framed doors:
from -2,5 to +2,5




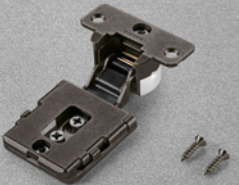

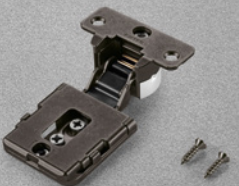

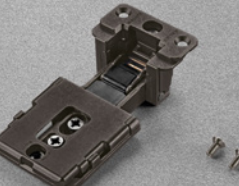
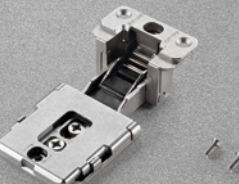
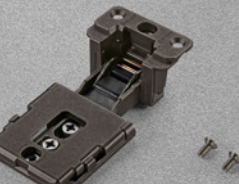



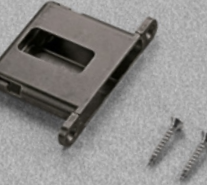
Depth adjustment for hinge
for wooden doors:
from 0 to +3

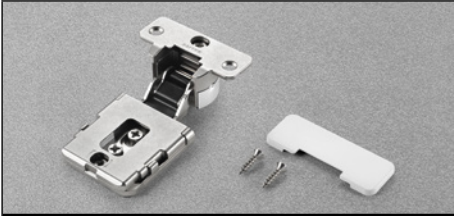
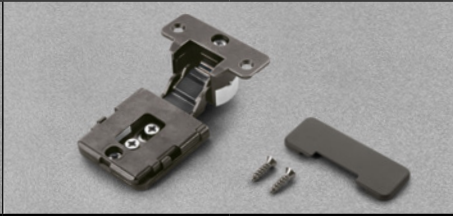

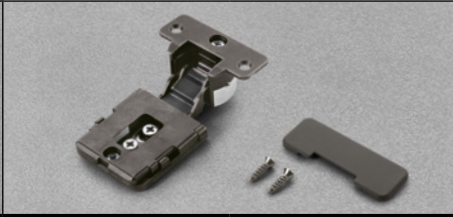
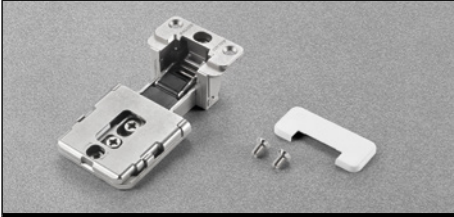
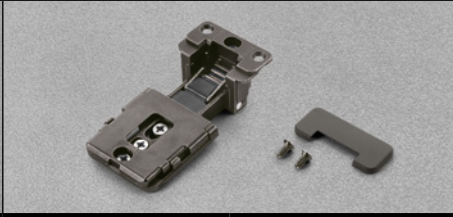
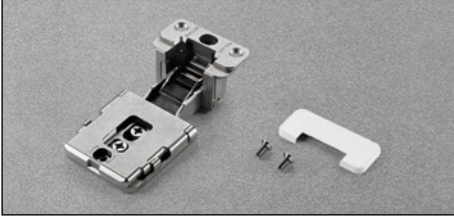
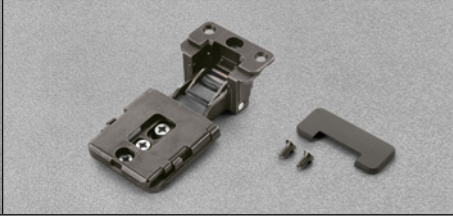


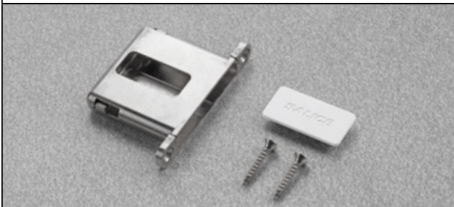
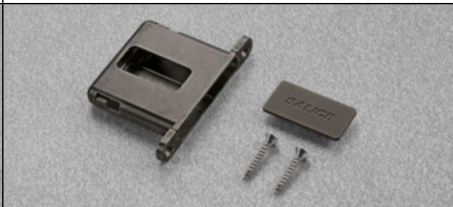


Depth adjustment for hinge
for aluminium-framed doors:
from 0 to +3













Conecta - Packing

| Hinge with Nickel-plated finish | Hinge with Titanium finish | INDUSTRIAL packing |
|-------------------------------------------------------------------------------------|-------------------------------------------------------------------------------------|-------------------------------------------------------------------|
| For wooden doors • Door overlay: 10 mm (DQG5) - 12,5 mm (DQG3) | | |
| CQA3JE9XXI | CQA3JE6XXI | |
|  |  | |
| For wooden doors • Door overlay: 14 mm (DQG5) - 16,5 mm (DQG3) | | |
| CQA3KE9XXI | CQA3KE6XXI | |
|  |  | |
| For aluminium-framed doors • Door overlay: 10 mm (DQG5) - 12,5 mm (DQG3) | | |
| CQZ3JE9XXI | CQZ3JE6XXI | |
|  |  | |
| For aluminium-framed doors • Door overlay: 14 mm (DQG5) - 16,5 mm (DQG3) | | |
| CQZ3KE9XXI | CQZ3KE6XXI | |
|  |  | |
| Holder with Nickel-plated finish | Holder with Titanium finish | INDUSTRIAL packing |
| DQG5BX9XI | DQG5BX6XI | |
|  |  | Boxes 100 pcs. Pallets 24 boxes • Fixing screws included |
| Holder with Nickel-plated finish | Holder with Titanium finish | INDUSTRIAL packing |
| DQG3BX9XI | DQG3BX6XI | |
|  |  | Boxes 100 pcs. Pallets 24 boxes • Fixing screws included |

| Hinge with Nickel-plated finish | Hinge with Titanium finish | SINGLE packing |
|-------------------------------------------------------------------------------------|--------------------------------------------------------------------------------------|----------------------------------------------------------------------------------------------------------------------------|
| For wooden doors • Door overlay: 10 mm (DQG5) - 12,5 mm (DQG3) | | |
| CQA3JE9XXV | CQA3JE6XXV | |
|  |  | |
| For wooden doors • Door overlay: 14 mm (DQG5) - 16,5 mm (DQG3) | | |
| CQA3KE9XXV | CQA3KE6XXV | |
|  |  | |
| For aluminium-framed doors • Door overlay: 10 mm (DQG5) - 12,5 mm (DQG3) | | |
| CQZ3JE9XXV | CQZ3JE6XXV | |
|  |  | <p>Bags 2 pcs. Boxes with 25 bags Pallets 24 boxes</p> <p>•</p> <p>Fixing screws and flange cover cap included</p> |
| For aluminium-framed doors • Door overlay: 14 mm (DQG5) - 16,5 mm (DQG3) | | |
| CQZ3KE9XXV | CQZ3KE6XXV | |
|  |  | |
| Holder with Nickel-plated finish | Holder with Titanium finish | SINGLE packing |
| DQG5BX9XS | DQG5BX6XS | |
|  |  | <p>Bags 2 pcs. Boxes with 25 bags Pallets 24 boxes</p> <p>•</p> <p>Fixing screws and screw cover cap included</p> |
| Holder with Nickel-plated finish | Holder with Titanium finish | SINGLE packing |
| DQG3BX9XS | DQG3BX6XS | |
|  |  | <p>Bags 2 pcs. Boxes with 25 bags Pallets 24 boxes</p> <p>•</p> <p>Fixing screws and screw cover cap included</p> |

Conecta - Screw cover caps with Salice printed logo




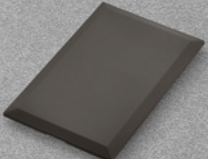

Symmetrical plastic screw cover caps with Salice printed logo.



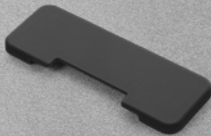







| Screw cover caps DQG3B | Screw cover caps DQG5B | Packing |
|-------------------------------------------------------------------------------------|-------------------------------------------------------------------------------------|------------------------------------------------------|
| PQFXAA1SN | PQF5AA1SN | Boxes 100 pcs. • Large Boxes 600 pcs. |
| White | White | |
|  |  | |
| PQFXAA3SN | PQF5AA3SN | Boxes 100 pcs. • Large Boxes 600 pcs. |
| Black | Black | |
|  |  | |
| PQFXAA6SN | PQF5AA6SN | Boxes 100 pcs. • Large Boxes 600 pcs. |
| Titanium | Titanium | |
|  |  | |
| PQFXAA9SN | PQF5AA9SN | Boxes 100 pcs. • Large Boxes 600 pcs. |
| Satin Chrome | Satin Chrome | |
|  |  | |
| PQFXAAWSN | PQF5AAWSN | Boxes 100 pcs. • Large Boxes 600 pcs. |
| Satin Gold | Satin Gold | |
|  |  | |

Screw cover caps and flange cover caps


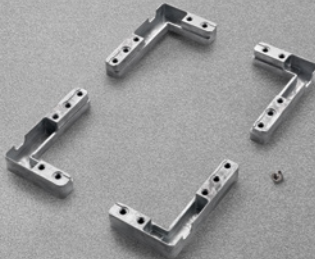
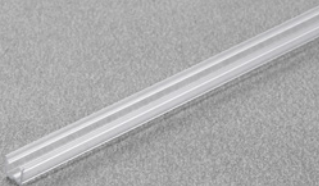
Symmetrical plastic screw cover caps.They can be personalised on request with silk-screen printed logo.

Plastic flange cover caps.

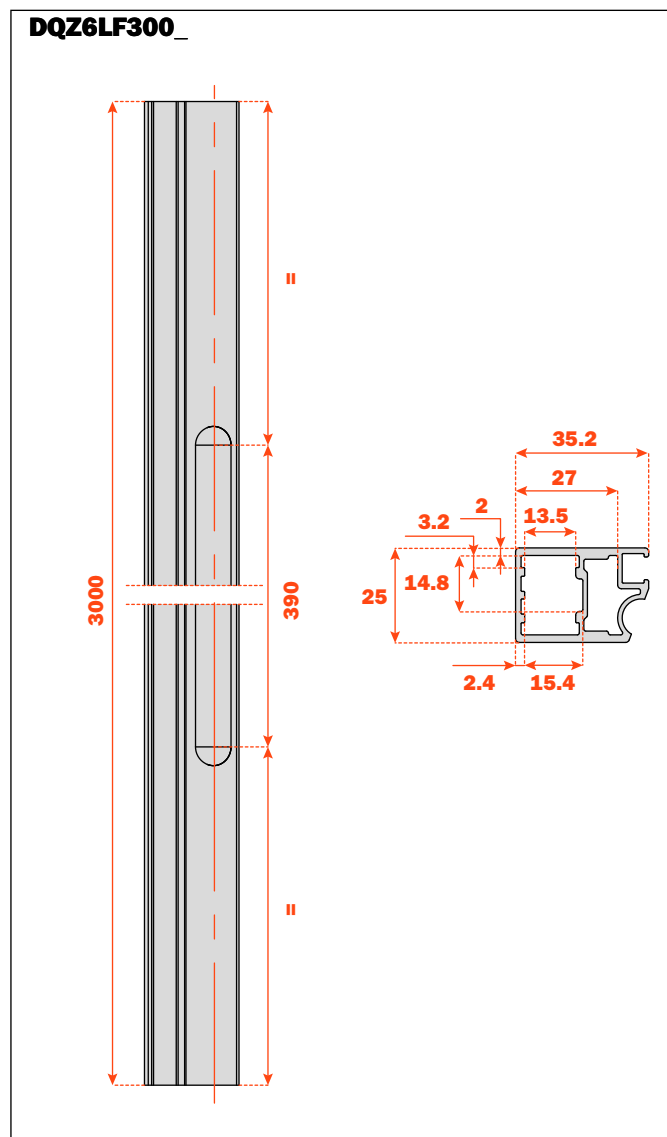
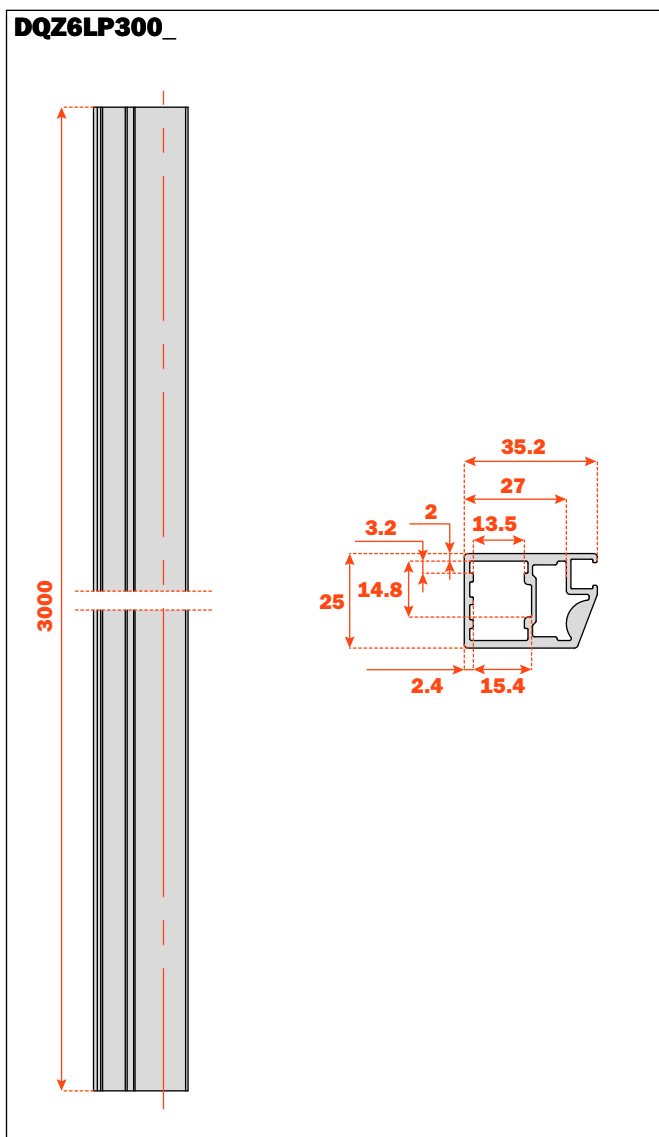
| Screw cover caps DQG3B | Screw cover caps DQG5B | Packing |
|-------------------------------------------------------------------------------------|-------------------------------------------------------------------------------------|------------------------------------------------------|
| PQFXAA1 | PQF5AA1 | Boxes 100 pcs. • Large Boxes 600 pcs. |
| White | White | |
|  |  | |
| PQFXAA3 | PQF5AA3 | Boxes 100 pcs. • Large Boxes 600 pcs. |
| Black | Black | |
|  |  | |
| PQFXAA6 | PQF5AA6 | Boxes 100 pcs. • Large Boxes 600 pcs. |
| Titanium | Titanium | |
|  |  | |
| PQFXAA9 | PQF5AA9 | Boxes 100 pcs. • Large Boxes 600 pcs. |
| Satin Chrome | Satin Chrome | |
|  |  | |
| PQFXAAW | PQF5AAW | Boxes 100 pcs. • Large Boxes 600 pcs. |
| Satin Gold | Satin Gold | |
|  |  | |

| Flange cover caps Hinge for wooden doors | Flange cover caps Hinge for aluminium-framed doors | Packing |
|--------------------------------------------------------------------------------------|---------------------------------------------------------------------------------------|------------------------------------------------------|
| PQSAAA1 | PQSZAA1 | Boxes 100 pcs. • Large Boxes 600 pcs. |
| White | White | |
|  |  | |
| PQSAAA3 | PQSZAA3 | Boxes 100 pcs. • Large Boxes 600 pcs. |
| Black | Black | |
|  |  | |
| PQSAAA6 | PQSZAA6 | Boxes 100 pcs. • Large Boxes 600 pcs. |
| Titanium | Titanium | |
|  |  | |
| PQSAAA9 | PQSZAA9 | Boxes 100 pcs. • Large Boxes 600 pcs. |
| Satin Chrome | Satin Chrome | |
|  |  | |
| PQSAAAW | PQSZAAW | Boxes 100 pcs. • Large Boxes 600 pcs. |
| Satin Gold | Satin Gold | |
|  |  | |

Conecta - Accessories

| | | | |
|-------------------------------------------------------------------------------------|--------------------|-------------------------------------------------------------------------------------------------------------------------|---------------|
| Steel corner connectors for the assembly of the aluminium door profile | Part number | Packing | |
|  | DQZ3HS5V04 | Boxes with 25 bags 1 bag contains: 4 corner connectors and assembly screws (nickel-plated and titanium finish) | |
| Die-cast corner connectors for the assembly of the aluminium door profile | Part number | Packing | |
|  | DEL6BSFV02 | Boxes with 25 bags 1 bag contains: 4 corner connectors and assembly screws (nickel-plated and titanium finish) | |
| Gasket for glass | Part number | Packing | Length |
|  | DQZ6AG3000T | 100 lengths | 3 metres |

| Aluminium door profile for glass insertion (4 mm) | Part number | Packing | Length |
|---------------------------------------------------|-------------------|-----------------------------------------------|----------|
| | DQZ6LP300P | 10 profiles in Anodised Aluminium | 3 metres |
| | DQZ6LP300T | 10 profiles in Titanium finish | |
| | DQZ6LF300P | 10 profiles in Anodised Aluminium with handle | |
| | DQZ6LF300T | 10 profiles in Titanium finish with handle | |



ARTURO SALICE S.p.A.

VIA PROVINCIALE NOVEDRATESE, 10
22060 NOVEDRATE (COMO) ITALIA
TEL. 031 790424 - FAX 031 791508
info.salice@salice.com - www.salice.com

DEUTSCHE SALICE GMBH

RUDOLF DIESEL STR. 10
74382 NECKARWESTHEIM
TEL. 07133 9807-0
FAX. 07133 9807-16
info.salice@deutschesalice.de
www.salice.com

DEUTSCHE SALICE GMBH

VERKAUFSBÜRO NORD
RINGSTRASSE 36/A30 CENTER
32584 LÖHNE
TEL. 05731 15608-0
FAX. 05731 15608-10
vknord@deutschesalice.de
www.salice.com

SALICE UK LTD.

KINGFISHER WAY
HINCHINGBROOKE BUSINESS PARK
HUNTINGDON CAMBS PE 29 6FN
TEL. 01480 413831
FAX. 01480 451489
info.salice@saliceuk.co.uk
www.salice.com

SALICE FRANCE S.A.R.L.

285 RUE DE GOA ZAC LES 3 MOULINS
06600 ANTIBES
TEL. 0493 330069
FAX. 0493 330141
info.salice@salicefrance.com
www.salice.com

SALICE ESPAÑA, S.L.U.

C/ AIGUAFREDA, 4 - P.I. AMETLLA PARK
08480 - L'AMETLLA DEL VALLÉS
(BARCELONA)
TEL. 938 45 88 61
FAX 938 49 11 97
info.salice@saliceespana.es
www.salice.com

SALICE PORTUGAL UNIP. LDA

VIA ROTA DOS MÓVEIS I n.399
4585-325 GANDRA-PAREDES (DISTRITO PORTO)
TEL. 00351 224 154 221
info@saliceportugal.pt
www.salice.com

SALICE CHINA (SHANGHAI) CO. LTD.

1st FLOOR, B1 BLDG 928 MINGZHU ROAD
XUJING, QINGPU DISTRICT
SHANGHAI 201702 - CHINA
TEL. 021 3988 9880
FAX. 021 3988 9882
info.salice@salicechina.com
www.salicechina.com

SALICE INDIA PVT. LTD.

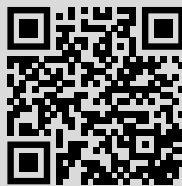
1001 & 1002, 10TH FLOOR,
CENTRUM, PLOT NO. C-3,
OPP. WAGLE PRABHAG SAMITI OFFICE,
MIDC AREA, WAGLE INDUSTRIAL ESTATE,
THANE - 400604, MAHARASHTRA
TEL. 022 20812050
info@saliceindia.com
www.salice.com

SALICE CANADA INC.

3500 RIDGEWAY DRIVE,
UNIT#1
MISSISSAUGA, ONTARIO, L5L 0B4
TEL. 905 820 8787
FAX. 905 820 7226
info.salice@salicecanada.com
www.salicecanada.com

SALICE AMERICA INC.

2123 CROWN CENTRE DRIVE
CHARLOTTE NC. 28227
TEL. 704 841 7810
FAX. 704 841 7808
info.salice@saliceamerica.com
www.saliceamerica.com



Digital contents