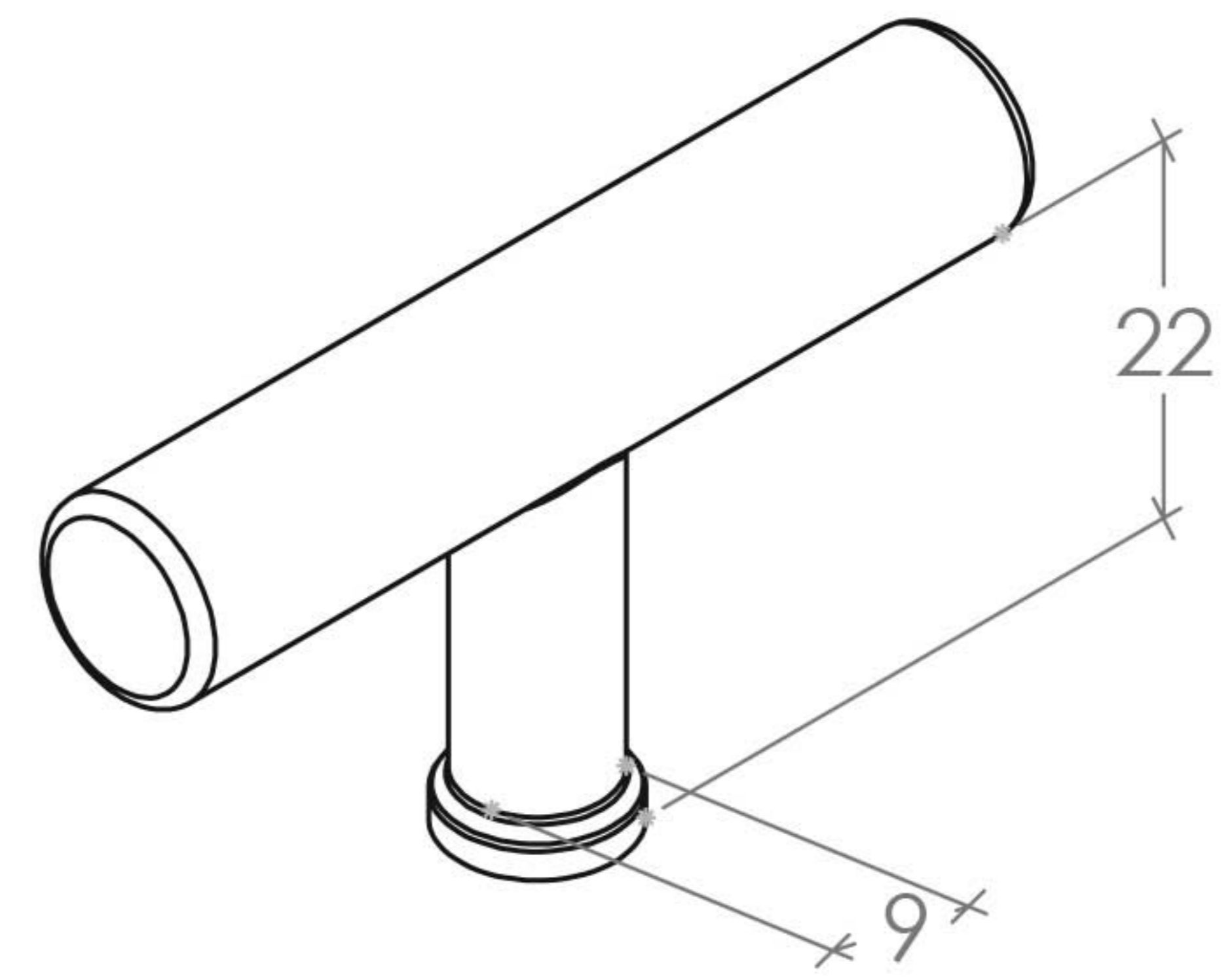
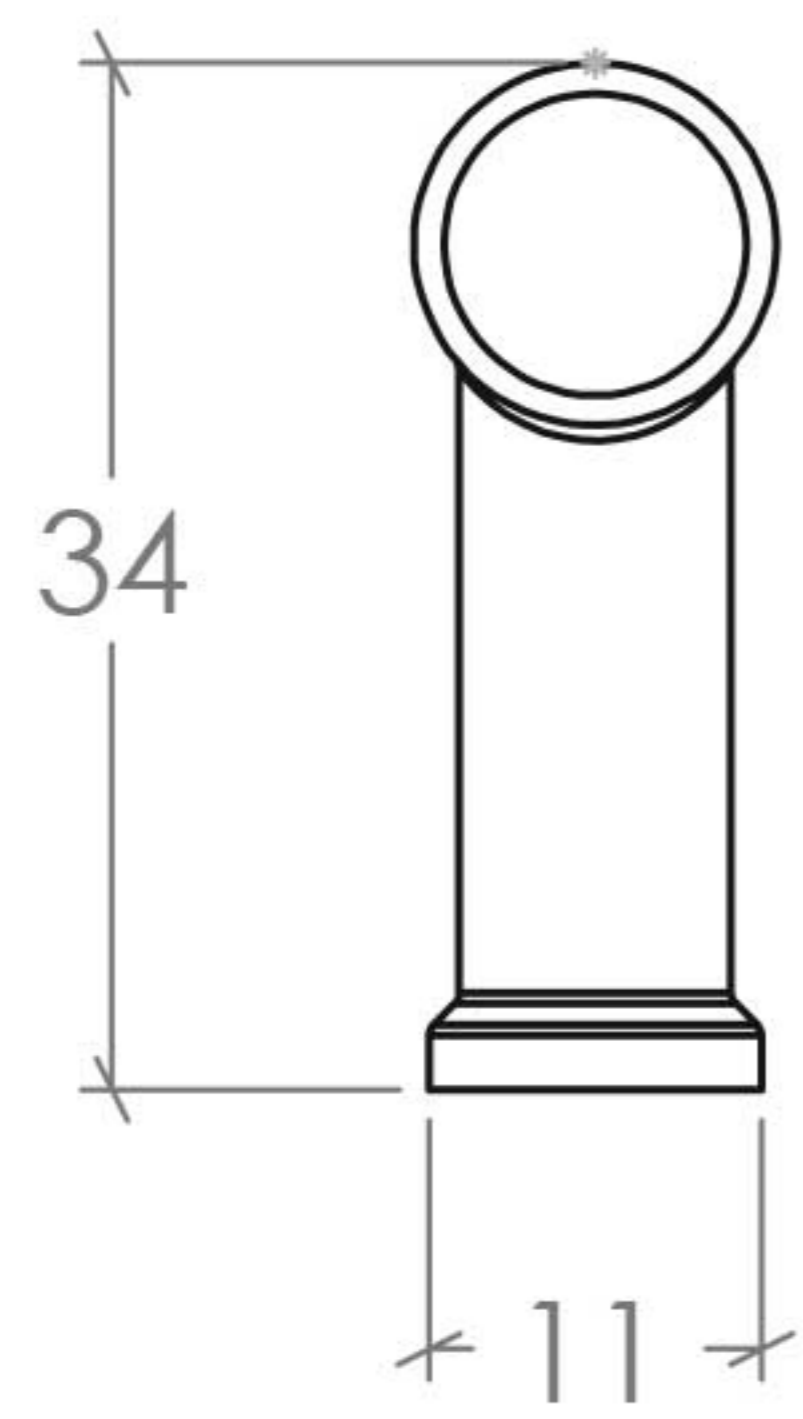
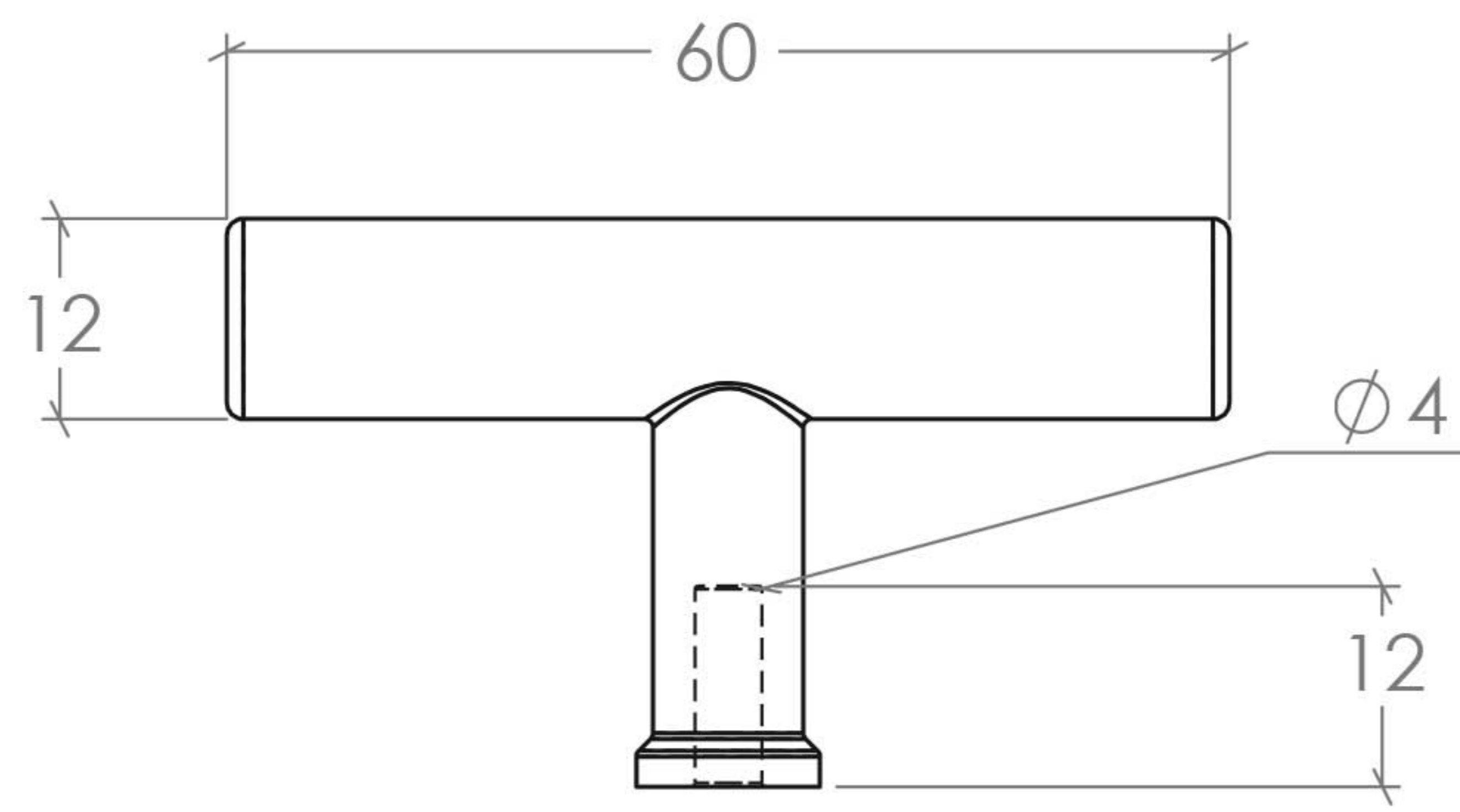
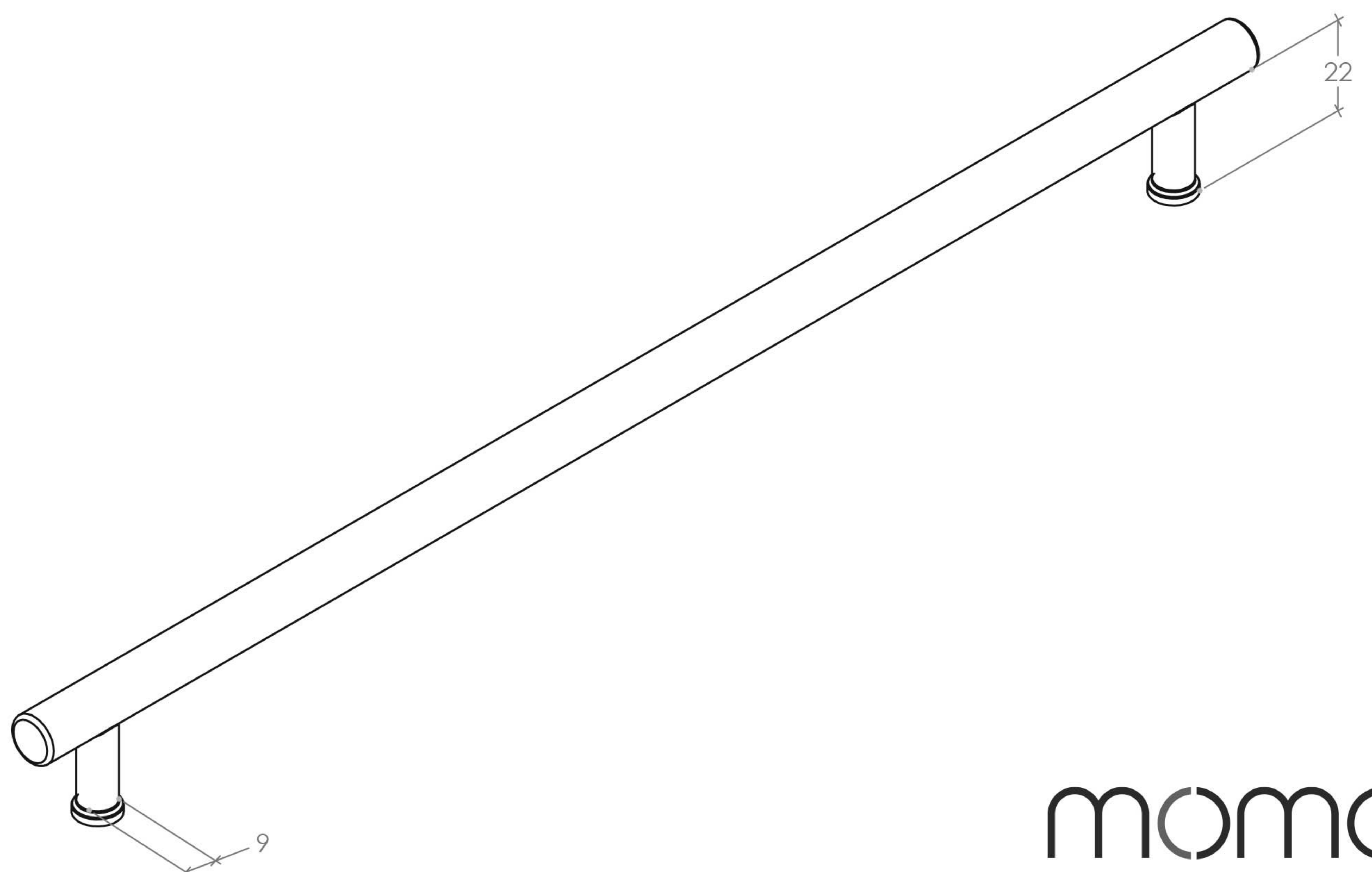
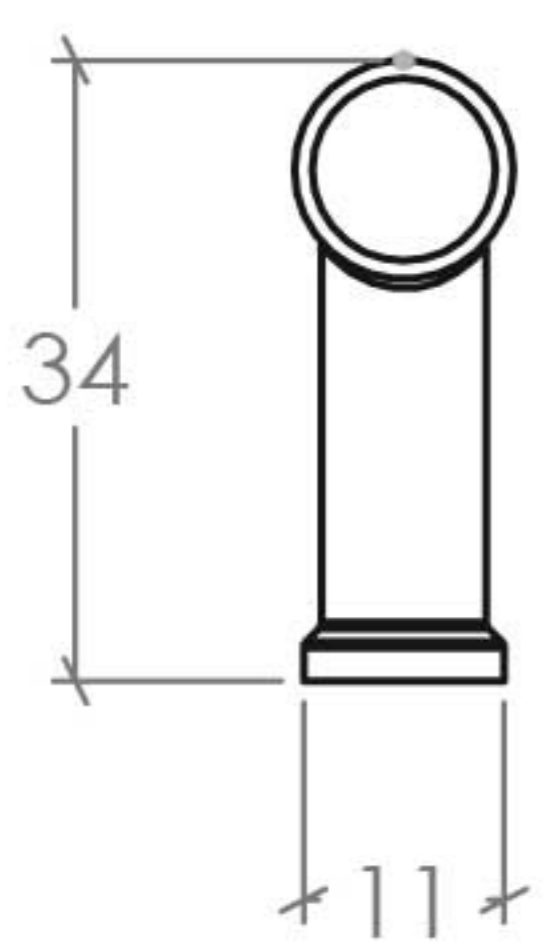
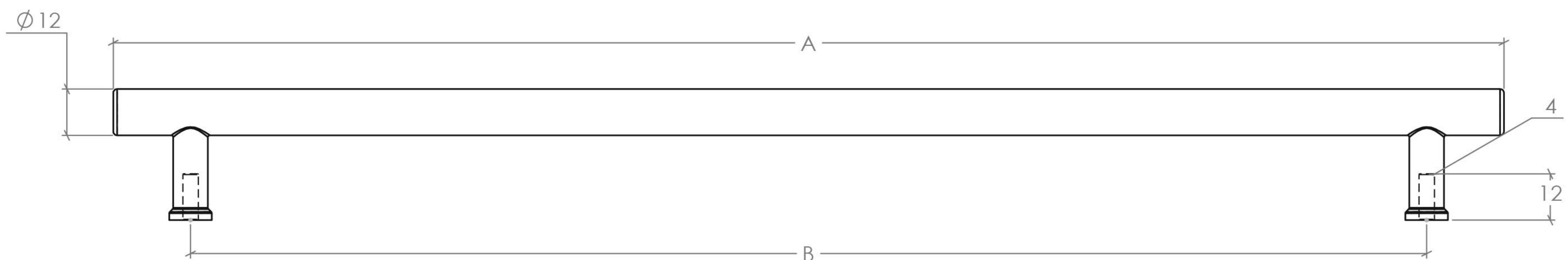


Strano Range



STK060



Part No.	A	B
SBH160	200	160
SBH320	360	320