

Do not use powered screw drivers for adjustment.

COMPONENTS

- 24 of 3,5x18 Self-tapping screws
- 1 of M6x16 Machine screw
- 1 of M6x25 Machine screw
- 3 of M5x15 Washer head Machine screw
- 6 of 6.2x13.5 Euro screw
- 1 of 3mm Allen key

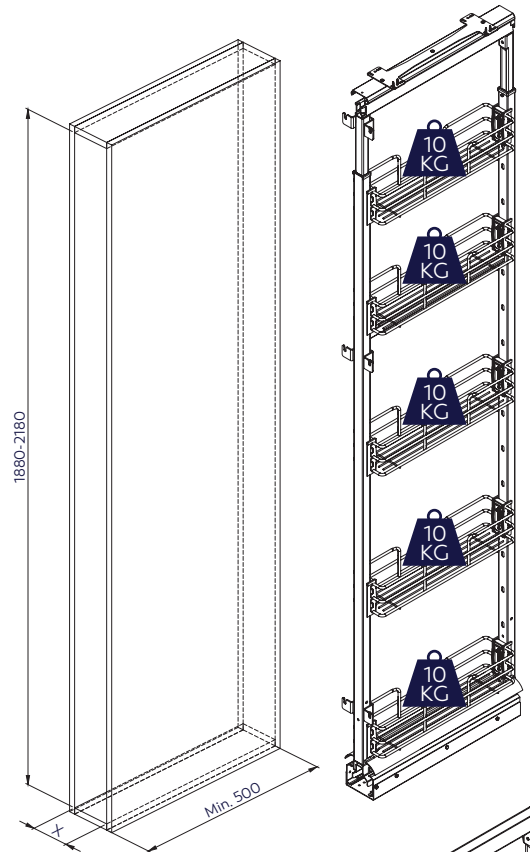
PARTS

- A. Bottom frame
- B. Top frame
- C. Bottom slide
- D. Top Slide
- E. Door bracket
- F. Fixing support
- G. Cover
- H. Basket with basket support kit

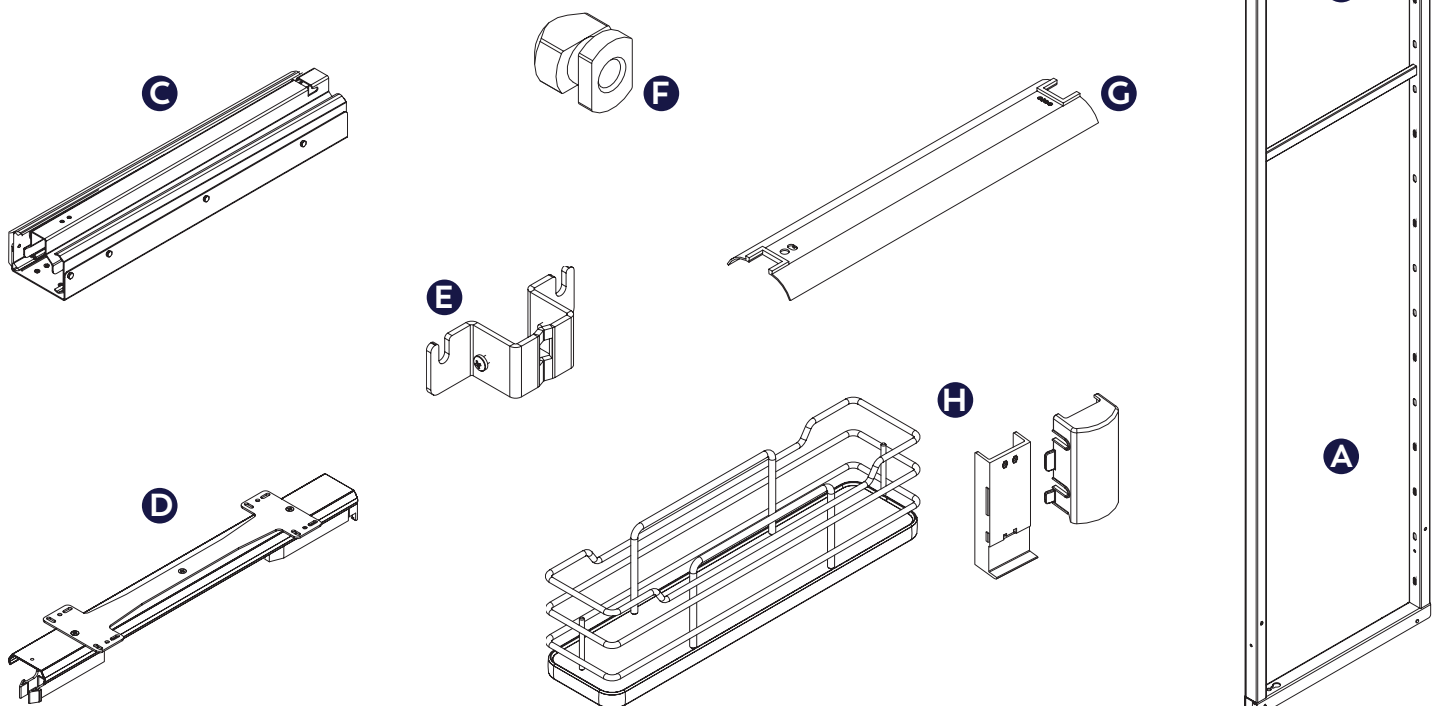
MAINTENANCE

Clean with a soft, dry cloth. Avoid using solvents or abrasive.

TOOLS



	x Min
150	110
200	160



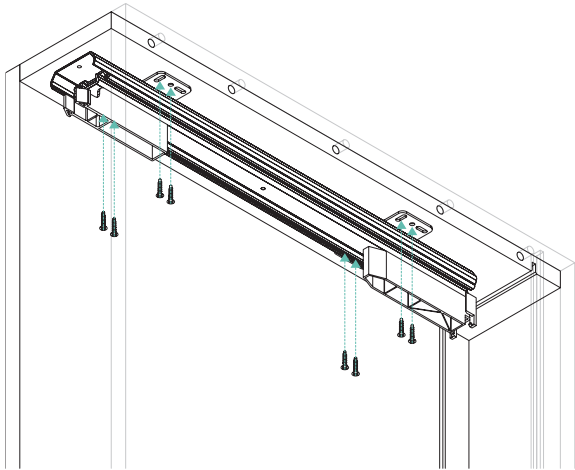
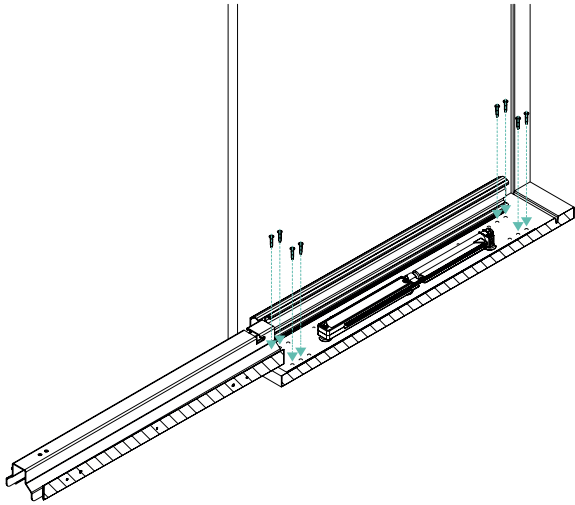


20 of 3.5x18 Self-tapping screws

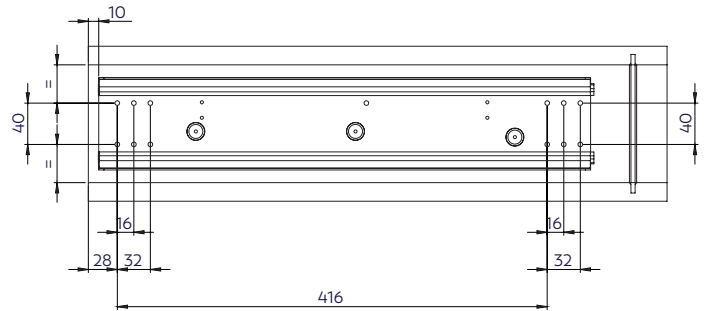


1

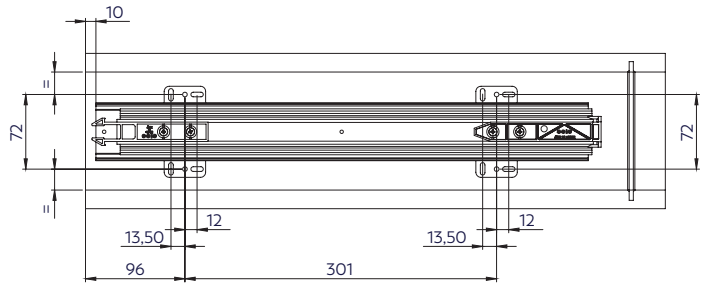
Install the bottom slide C and the top slide D, with the 3.5x18 screws, as shown



Bottom Slide



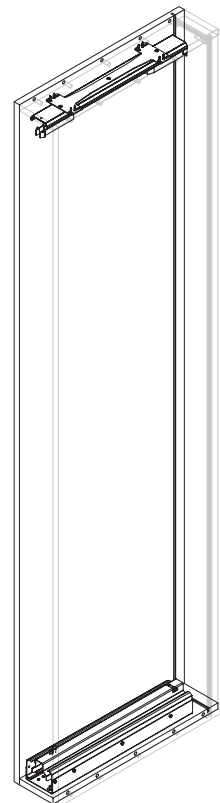
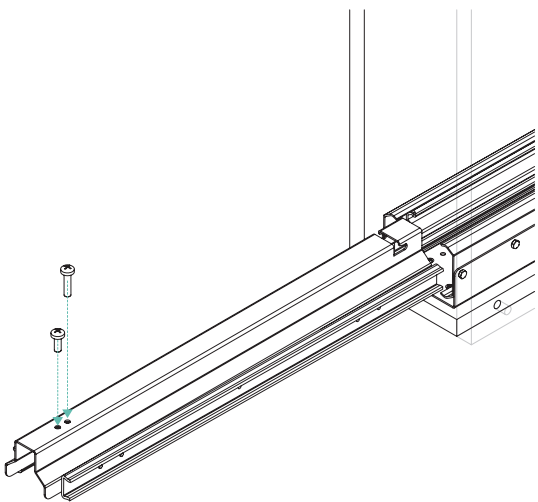
Top Slide



1 of M6x16 Machine screw
1 of M6x24 Machine screw

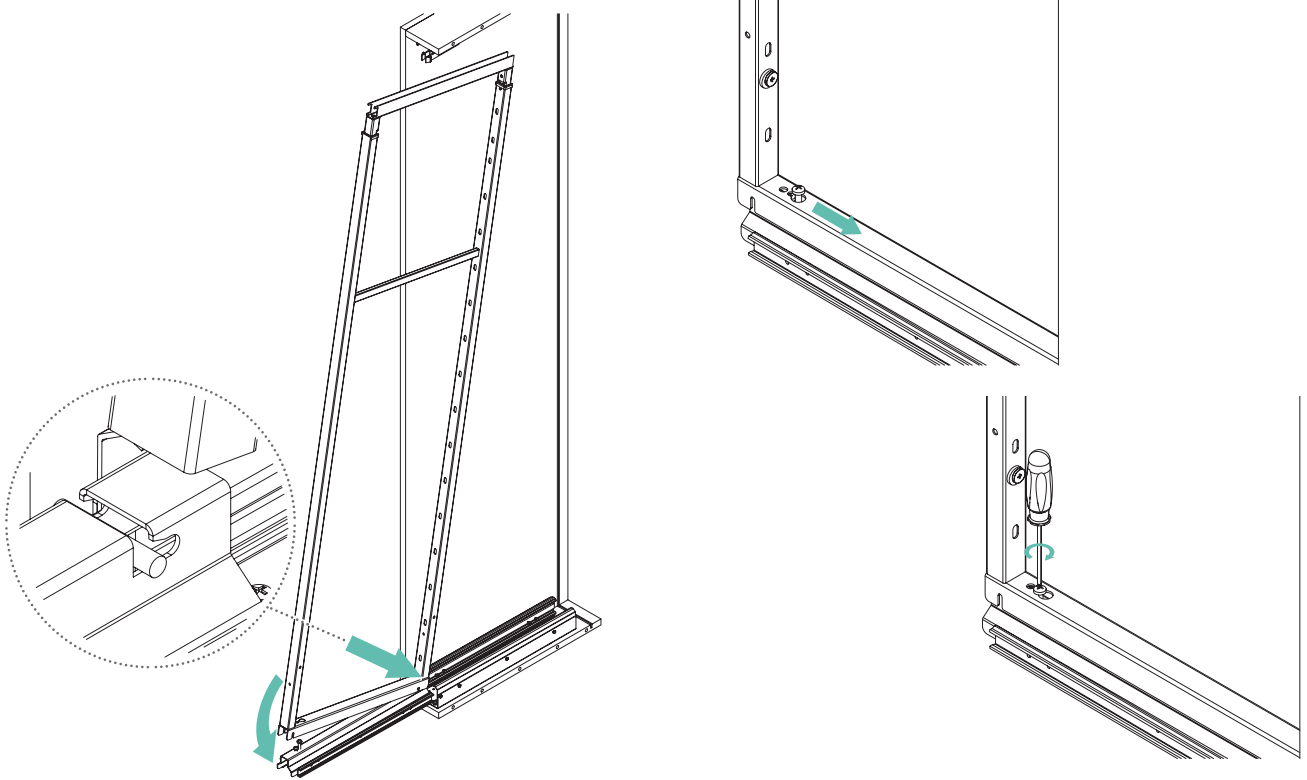
2

Pre-assemble the M6x16 and the M6x24 machine screws in the bottom slide as shown.



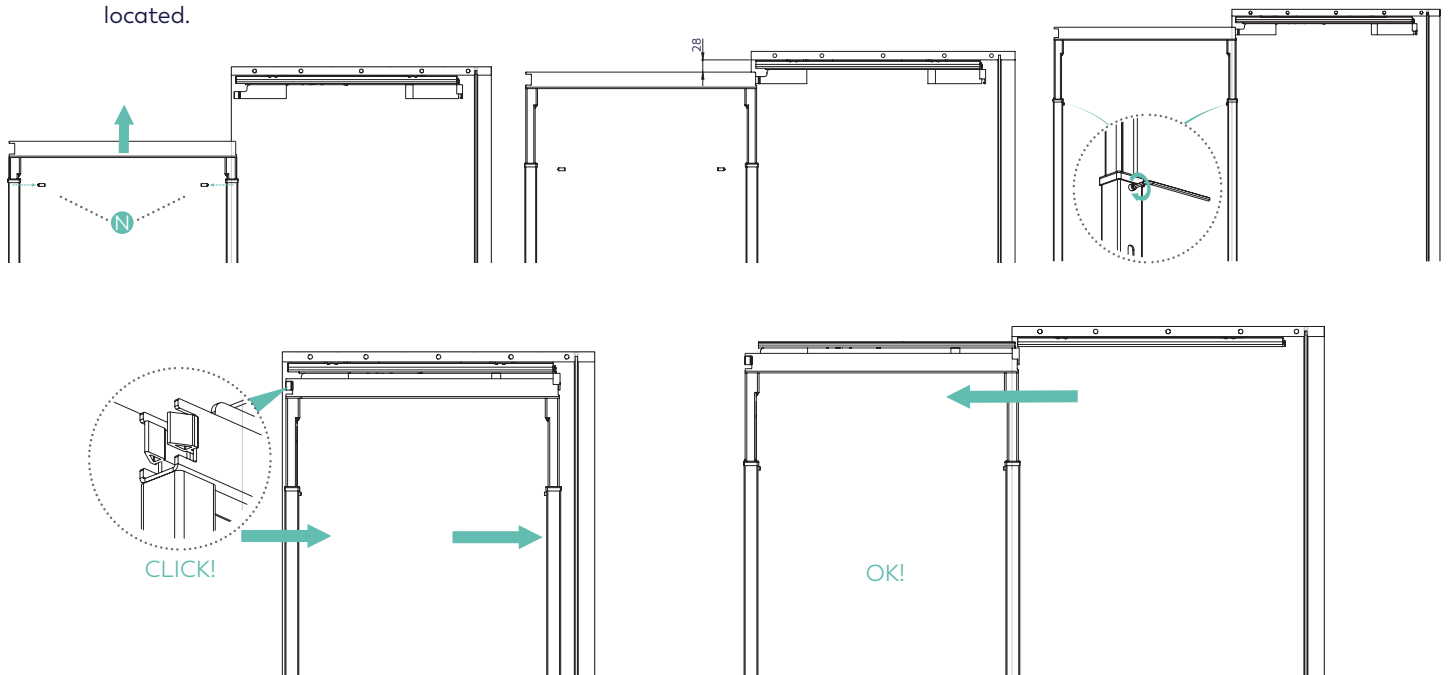
3

Install the frame in to the bottom slide (C). Fix the frame on the bottom slide (C) by tightening the M6x24 screw, as shown.



4

Loosen the grub screws (on the frame A) and slide up the frame (B). Fix the frame (B) at the indicated height by tightening the grub screws (N). Slide the frame into the top slide (D) until "CLICK!" sound is heard. Pull the frame all the way out to check it is properly located.





6 of 6.2x13.5 Euro screw



5

Choose the position of the middle door bracket (E) (see measurement L), then pre-drill all bracket positions $\text{Ø}5 \times 12 \text{mm}$ at the following measurements given. Pre-assemble the 6.2x13.5 euro screws leaving the heads protruding..

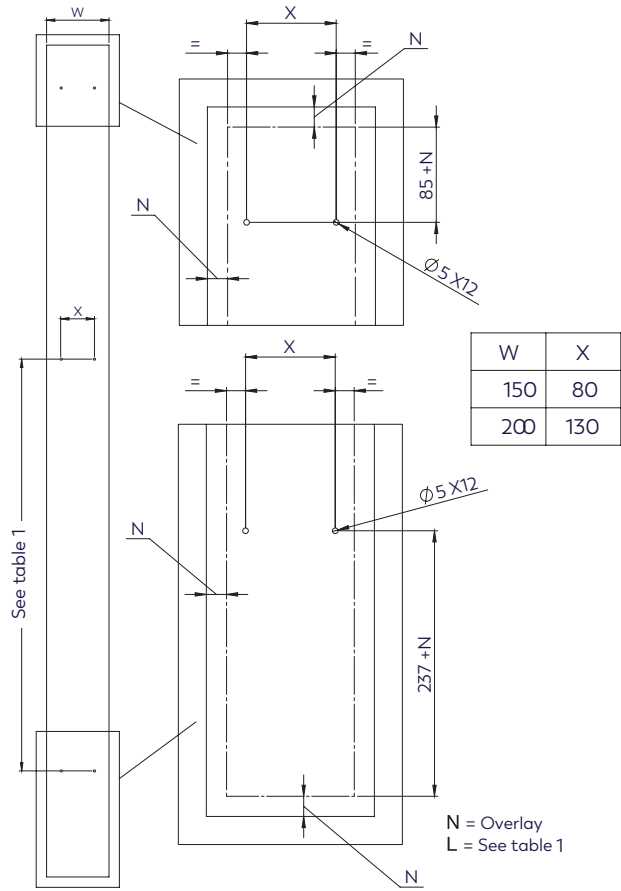
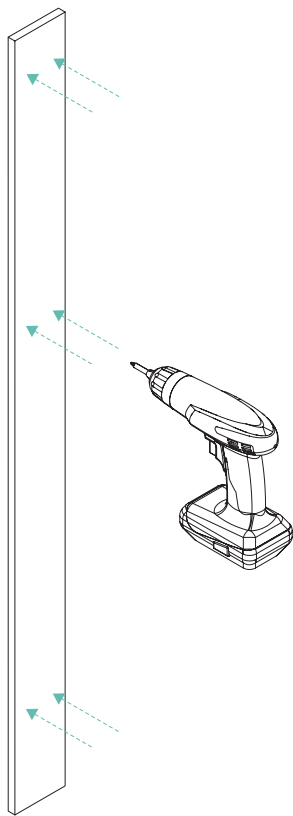
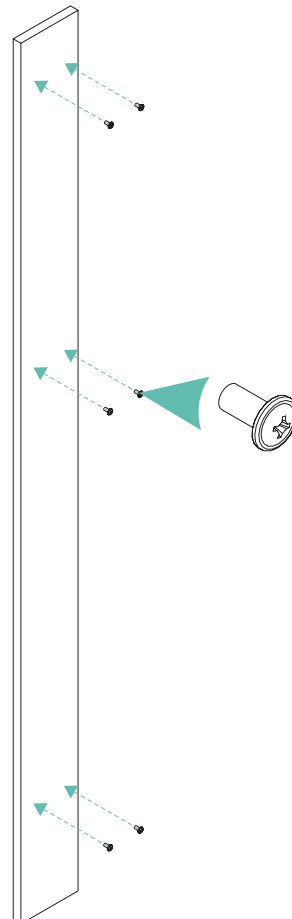
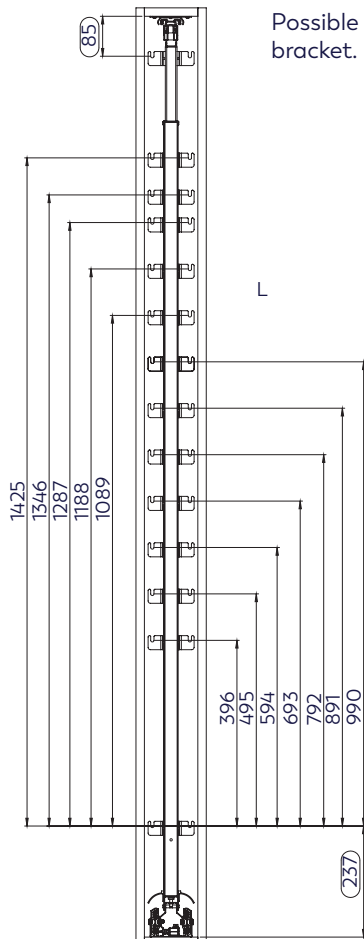
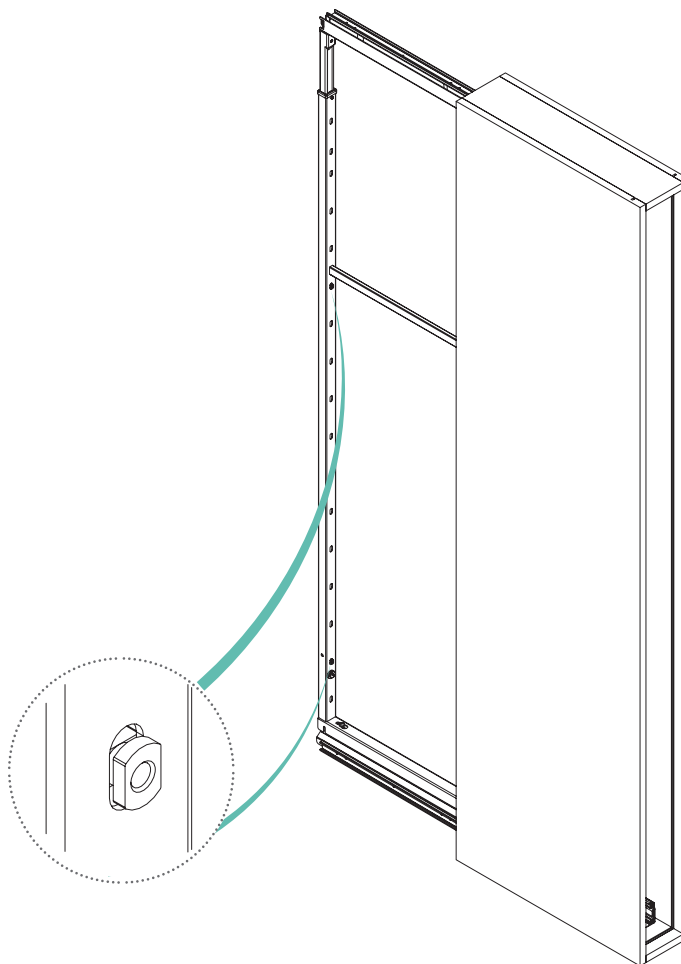
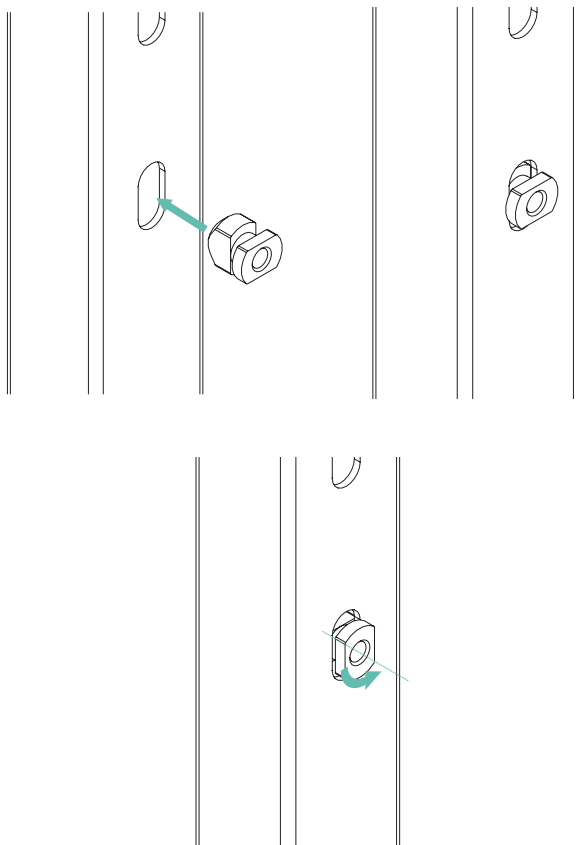


Table 1



6

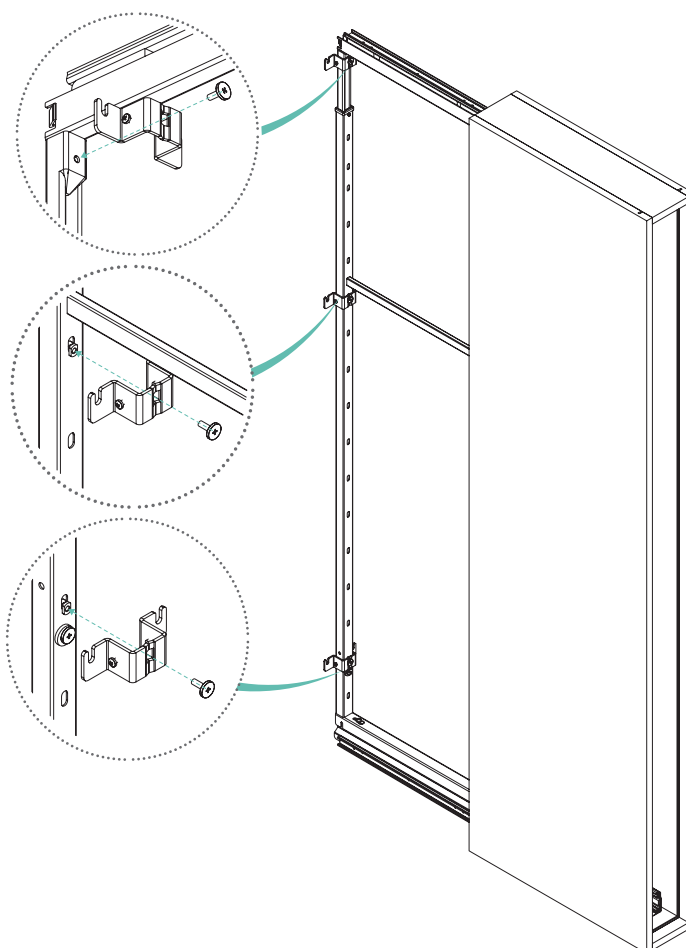
Mount the fixing support (F) at the same height as door brackets.



3 of M5x15 Washer head Machine screw

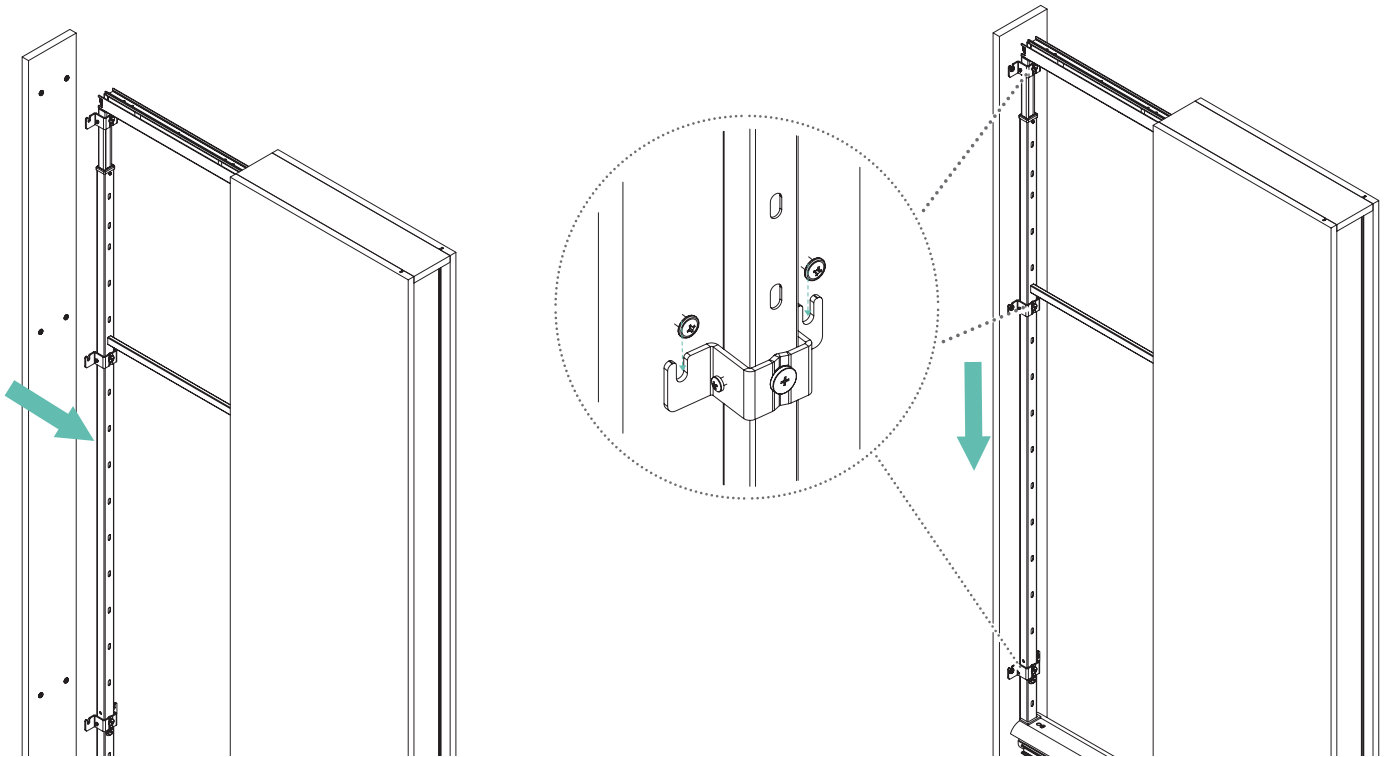
7

Mount the door bracket (E) to the frame and fix with the M5x15 washer head machine screws.



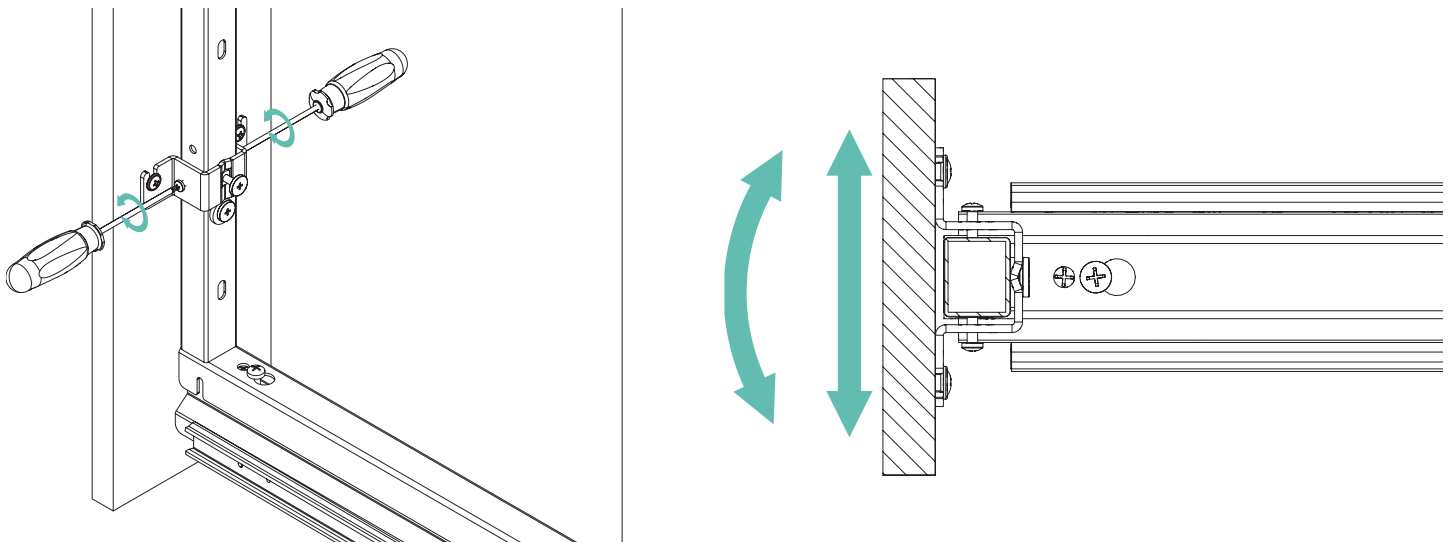
8

Hook the door onto the door brackets (E), then tighten the six 6.2x3.5 euro screws.



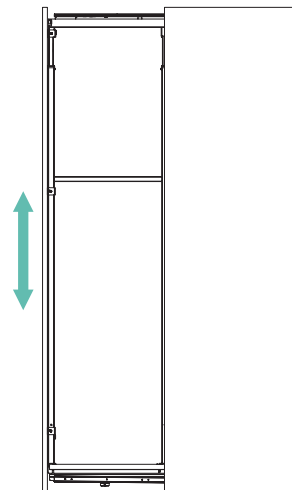
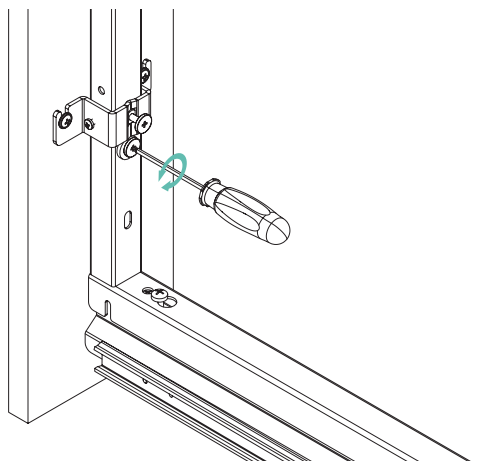
9

Adjust the side screws of the door bracket (E) to adjust the door right and left.



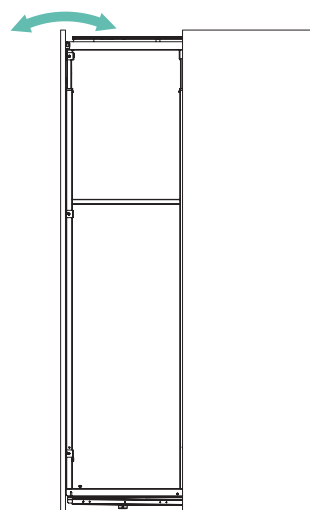
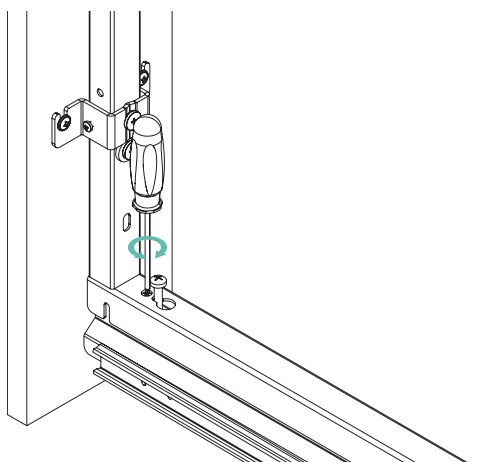
10

Loosen the washer head machine screws holding the door bracket frame and adjust the eccentric screw on the bottom of frame (A) to adjust the door up and down. Tighten bracket screws to fix in position.



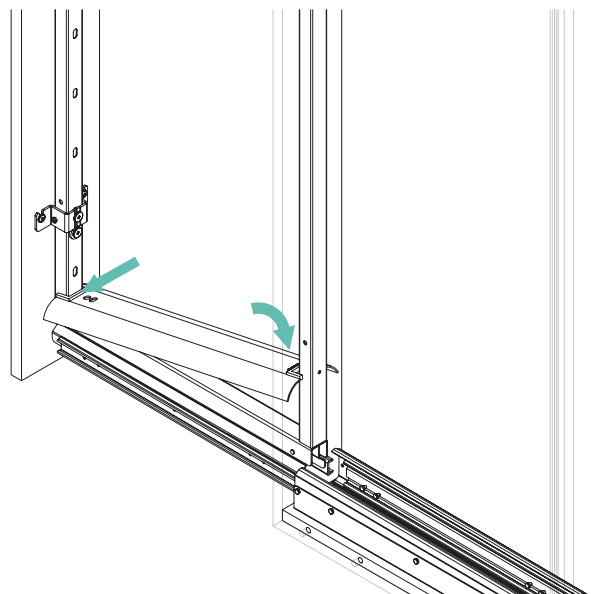
11

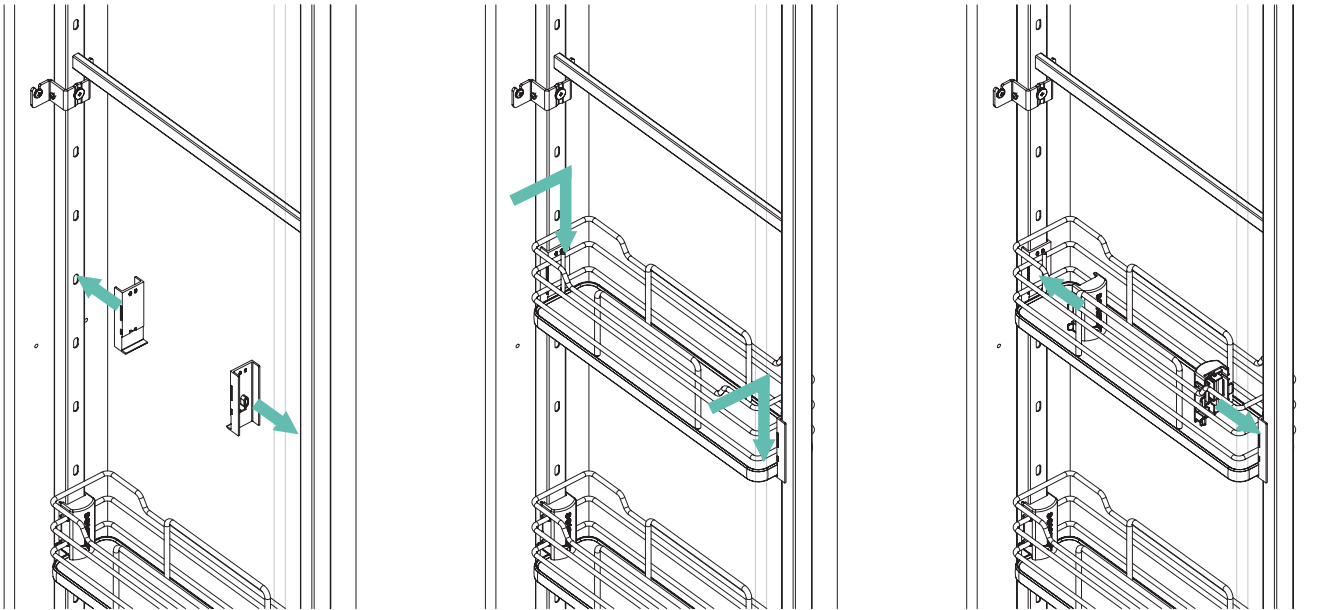
Turn the M6x16 and M6x24 screw on the bottom Slide (C) to adjust the angle of the door.



12

Install the cover (C) as shown.





Basket Removing

