

FEATURES

Pull-out shelves for corner cabinet, two melaminated bottom shelves with chromed wire rail. Right and left version.

FITTINGS

N° 12 6,3x16 mm Euroscrews
N° 28 4x25 mm Self tapping screws

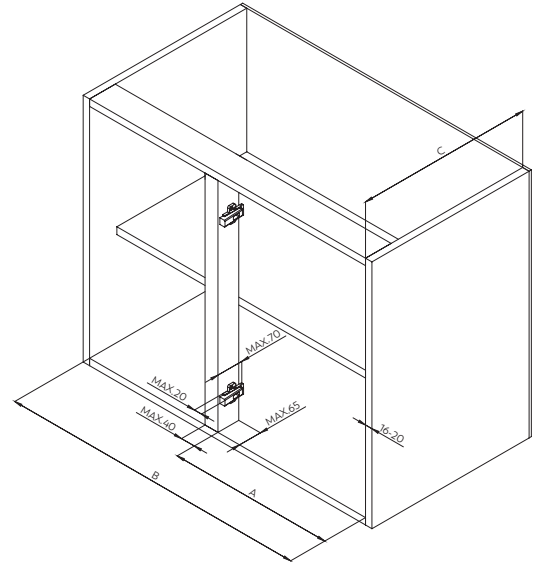
PARTS

- A. N°2 Shelves
- B. N°2 Slides
- C. N°2 Mechanisms
- D. N°1 Mounting template
- E. N°2 Plastic bush
- F. N°4 Stopper
- G. N°2 Pivoting guide
- H. N°5 Caps
- I. N°1 Drilling template

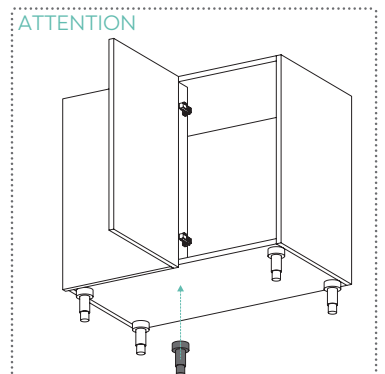
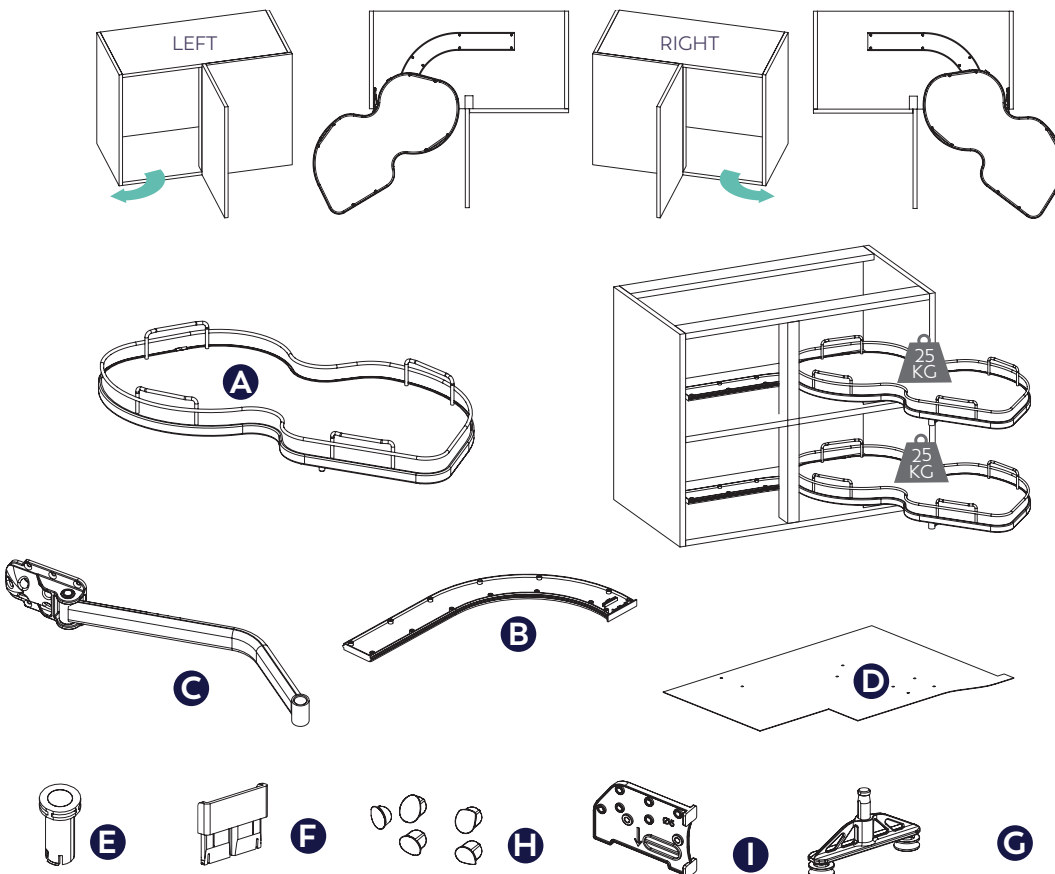
MAINTENANCE

Clean with a soft, dry cloth. Avoid using solvents or abrasive.

TOOLS



	A	B	C
Nuvola 40	Min. 360	Min.800	470
Nuvola 45	Min. 410	Min.900	490
Nuvola 50	Min. 460	Min.900	490
Nuvola 60	Min. 560	Min.1000	490



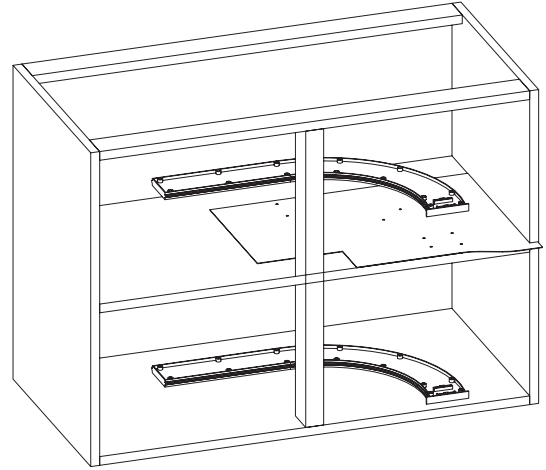
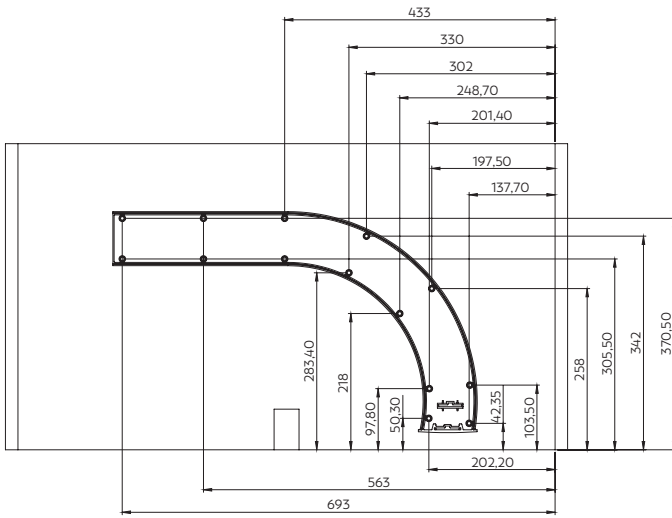


N° 28 4x25



1

Fix the plastic slides B according to the holes previously marked with template D.



NB: If you use the article 371K, please follow the related instruction.

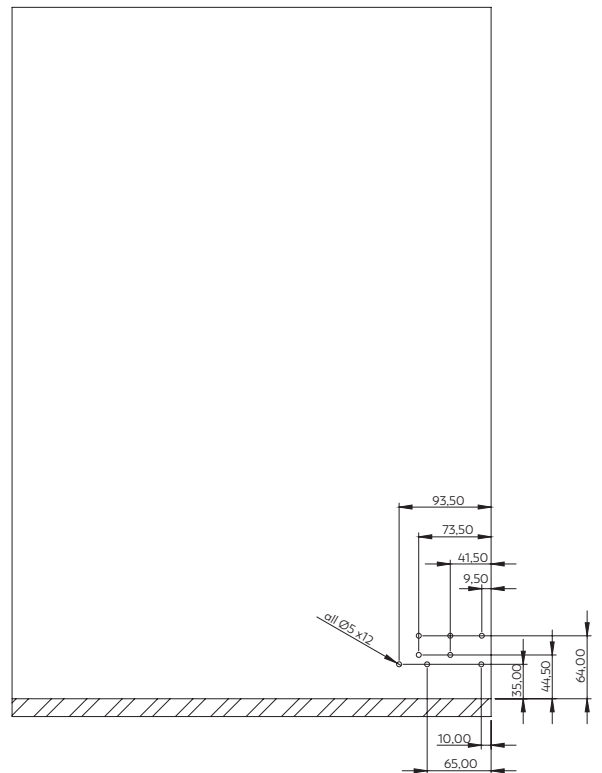
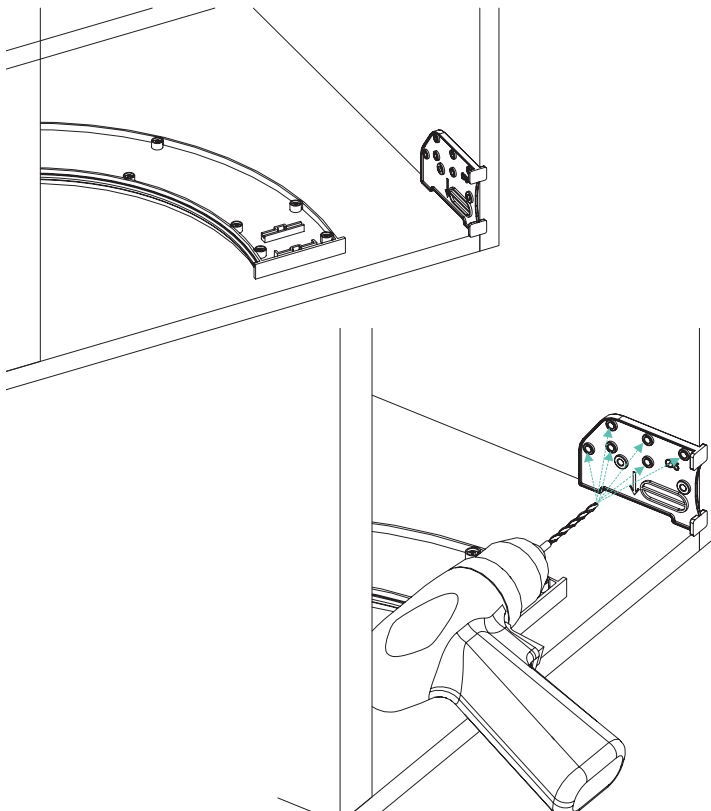


N° 28 4x25

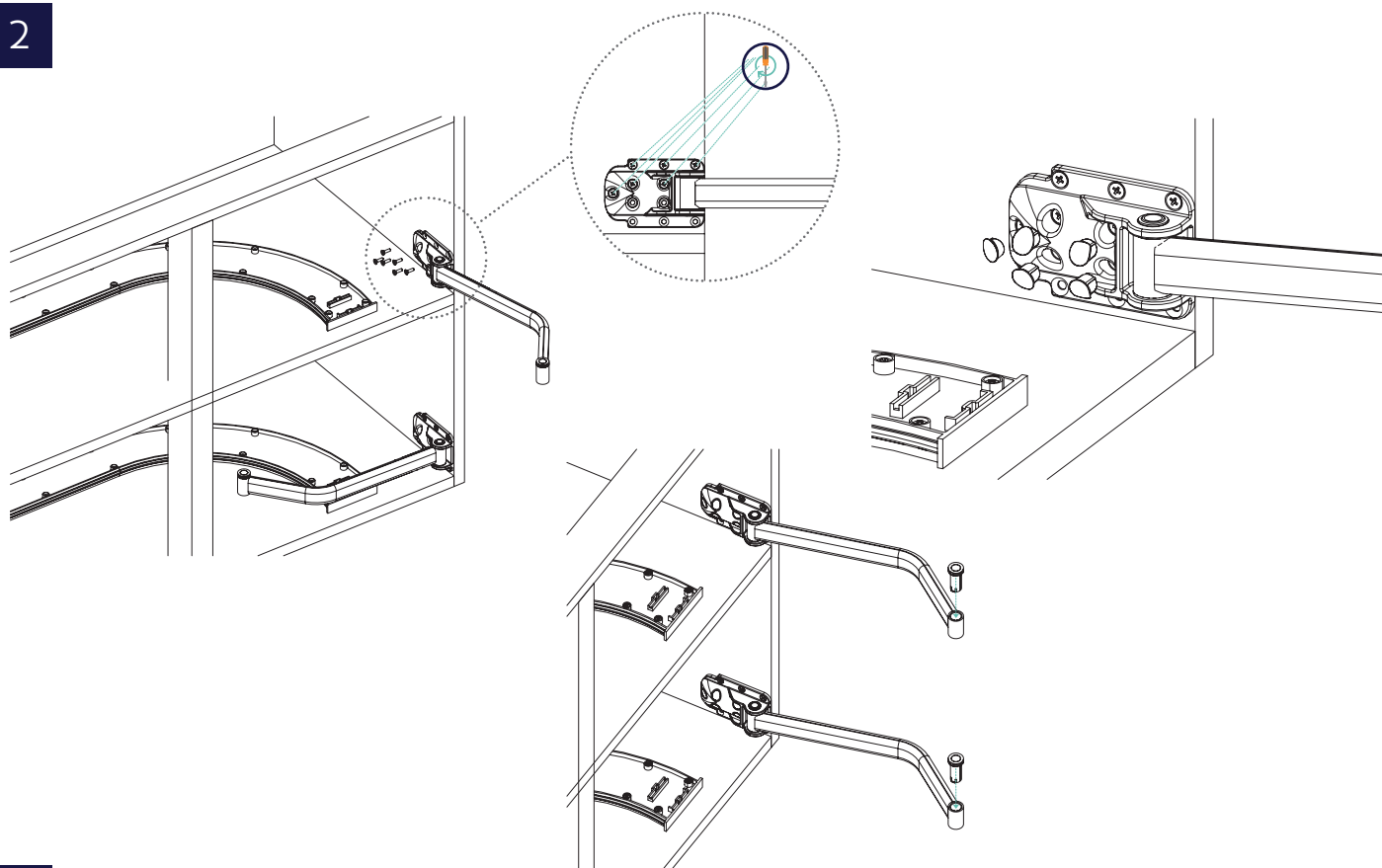


2

Pre-drill the side cabinet using the specific mounting template I or respecting the quotes and then fix the mechanisms C on the cabinet using the provided euroscrews and Insert the plastic bushing E into the mechanism C.

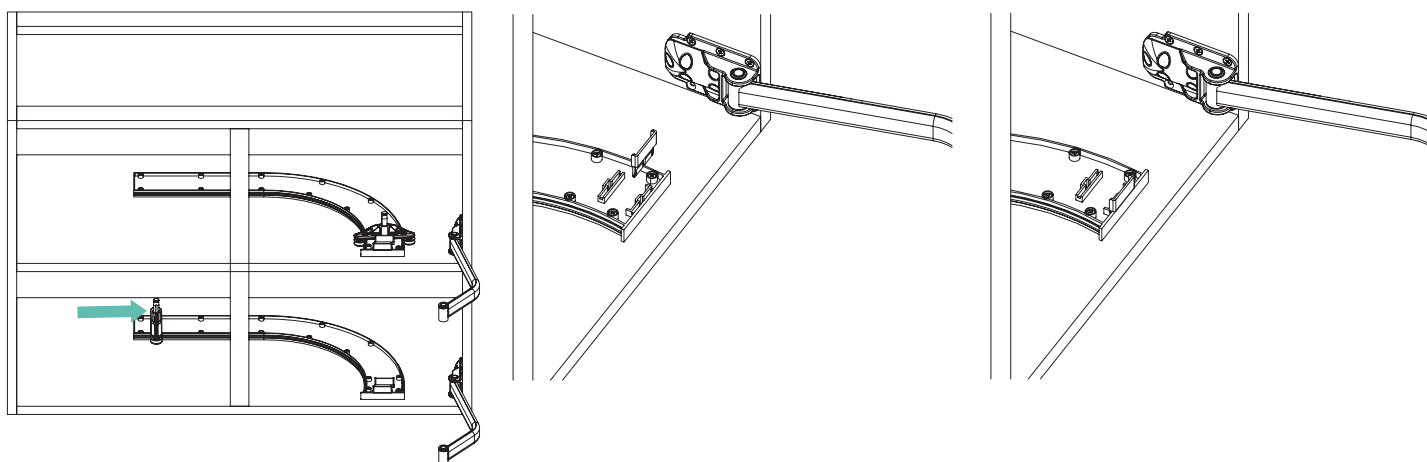


2



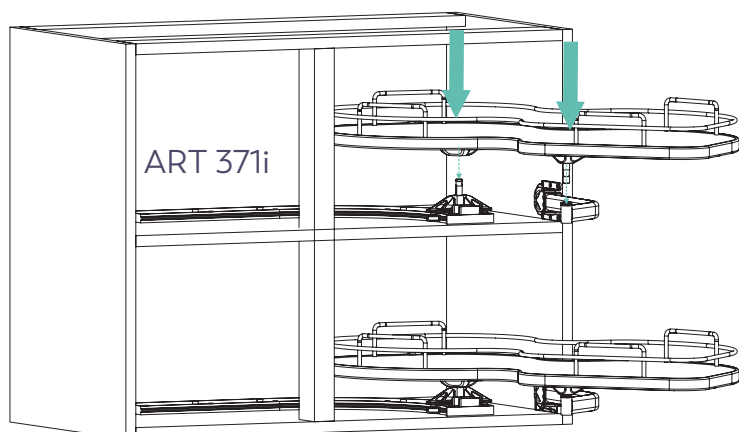
3

Put the rotation pin G along with the stopper F into the slide B.



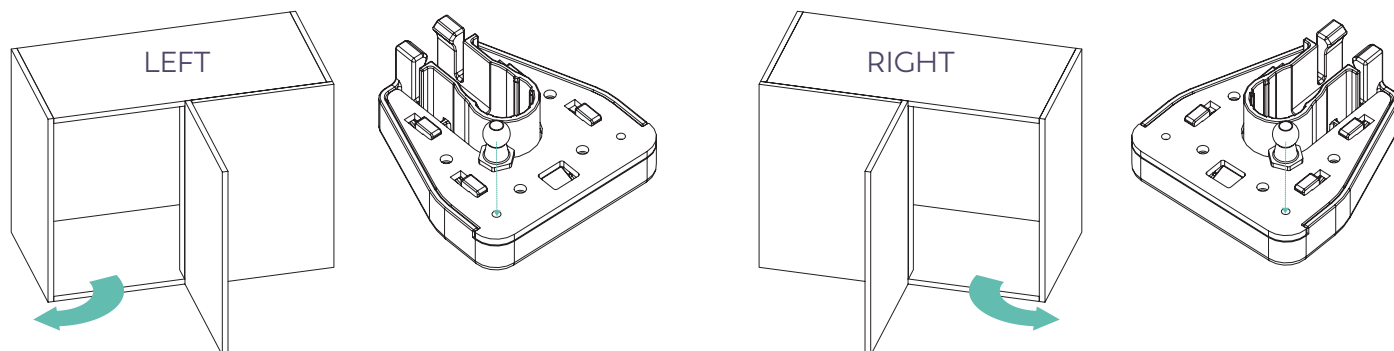
4

Put the rotation pin G along with the stopper F into the slide B. Put the shelf into the mechanism C and into the rotating support G previously mounted.



OPTIONAL SOFT CLOSE

Install the metal pin to the soft close support as shown.



Install the metal pin under the shelf using the pre-drilled holes. Attach the soft close support to the arm support (fig.1).

Attach the shelf to the track and support arm as shown (fig.2). Install the soft close dampener to the pins (fig.3).

