

Do not use powered screw drivers for adjustment.

FITTINGS

27 of 4x16 Self-tapping screws

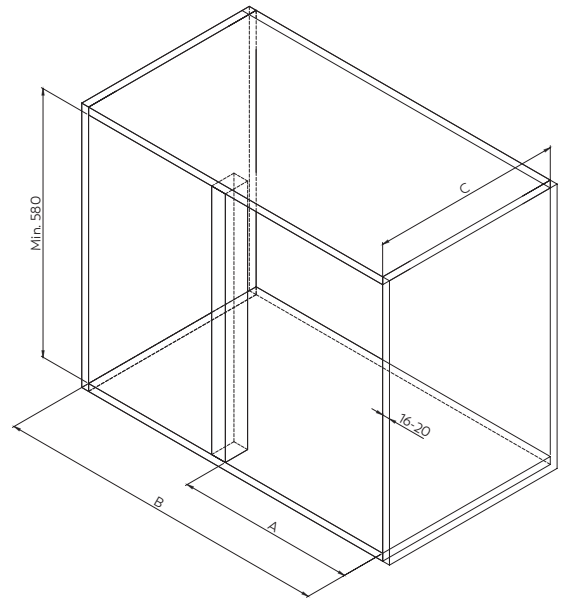
COMPONENTS

- A. Rear frame
- B. Lateral bracket
- C. Side frame
- D. Lower bushing
- E. Upper bushing
- F. Stop bracket
- H. Door bracket
- I. Centre pivot
- L. Post-connectors
- M. Linking arm
- N. Cover caps
- O. Marking template
- P. Basket hooks (inside basket box)

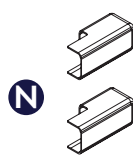
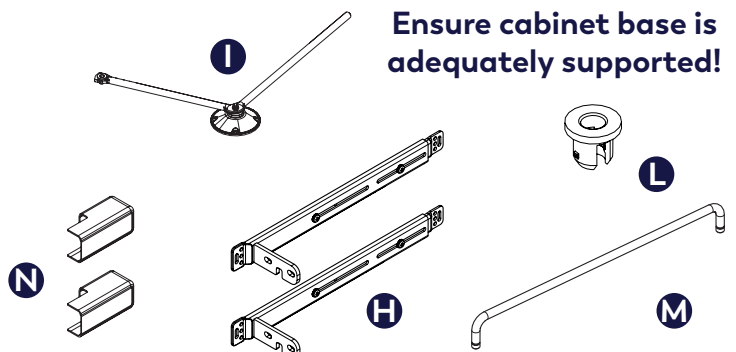
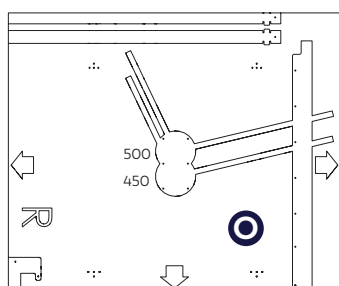
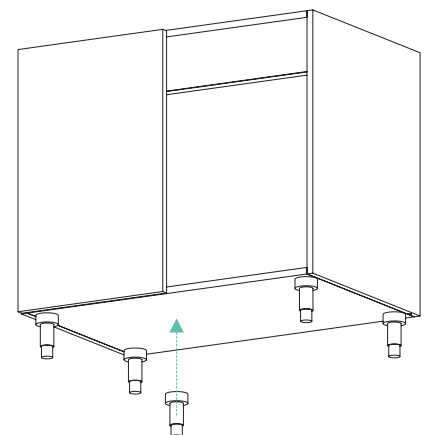
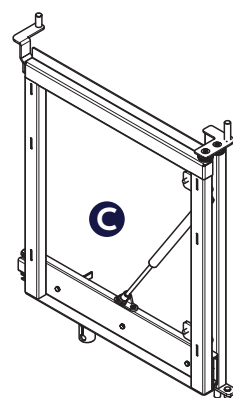
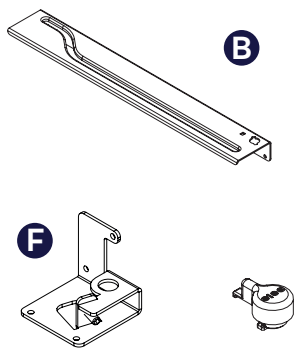
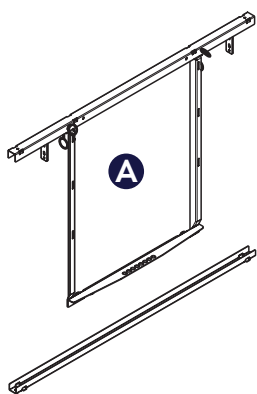
MAINTENANCE

Clean with a soft, dry cloth. Avoid using solvents or abrasive.

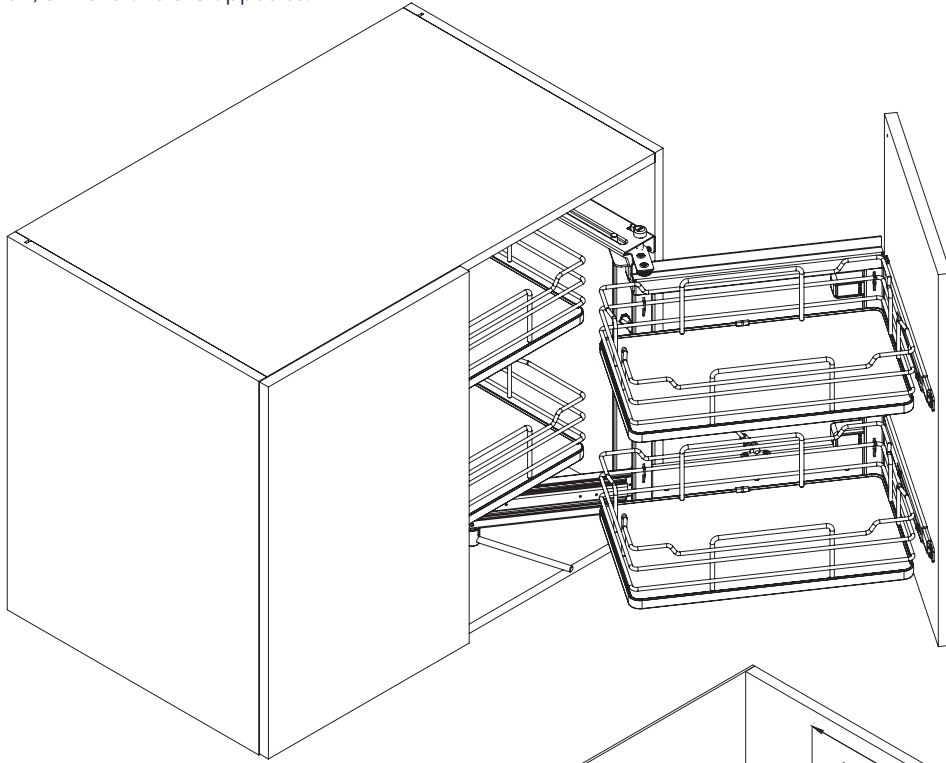
TOOLS



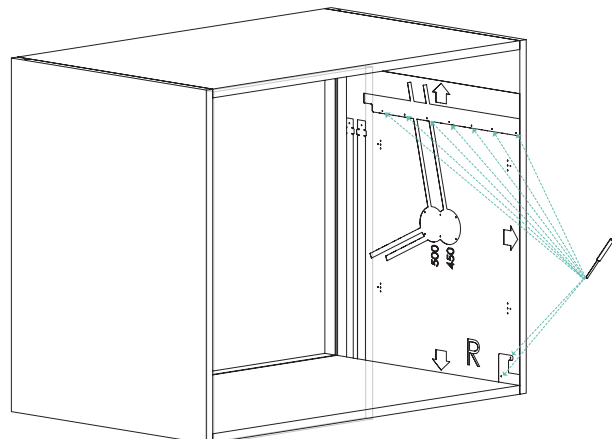
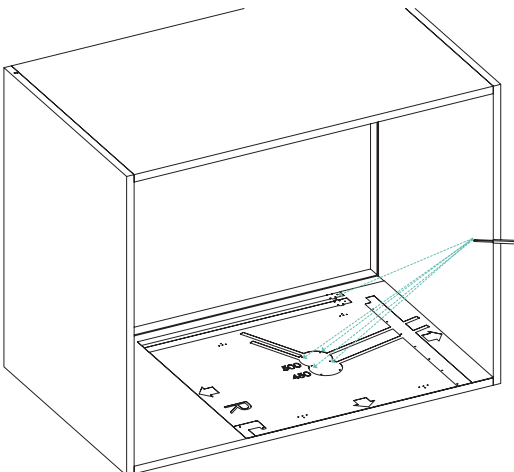
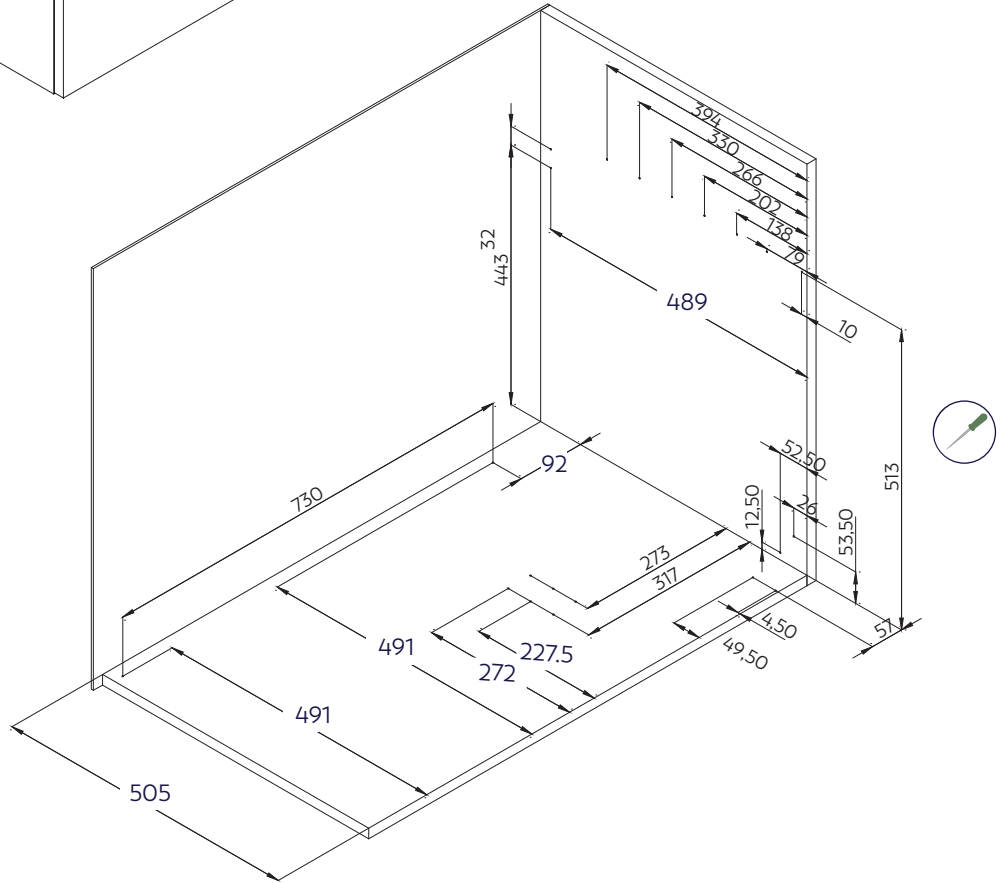
Door	A	B	C
450	Min. 410	Min.860/Max. 1010	500



Dimensions and diagrams show installation for right hand unit.
For left hand installation, dimensions are opposite.



1 Pre-drill cabinet following the dimensions shown or use the marking template to mark screw positions.



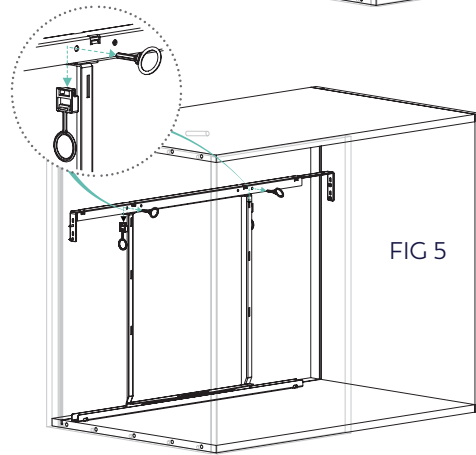
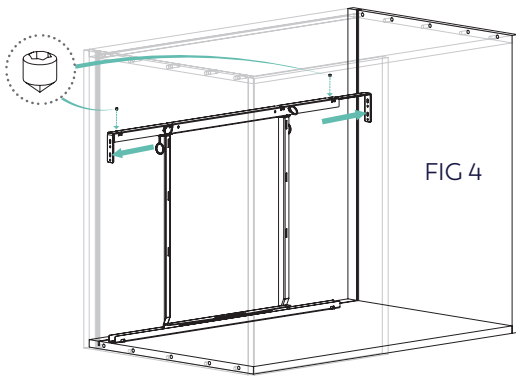
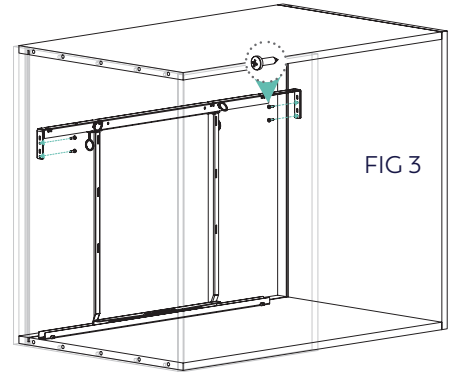
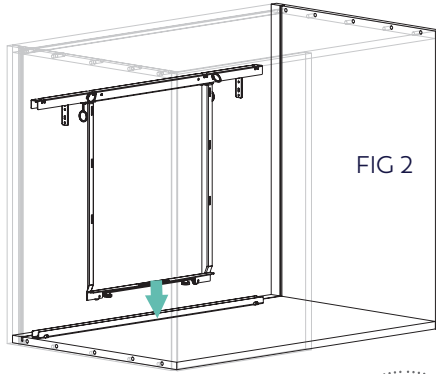
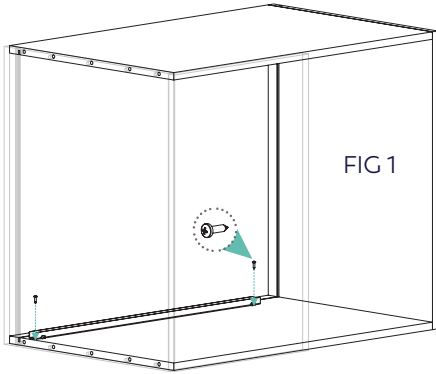


6 of 4x16 Self-tapping screws



2

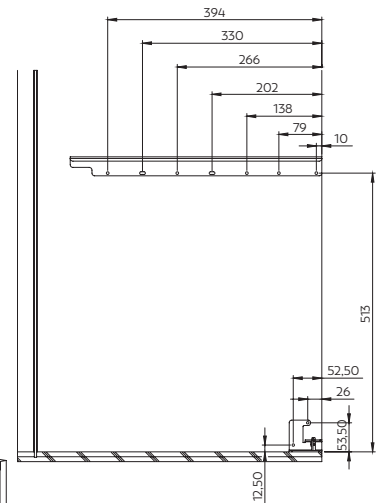
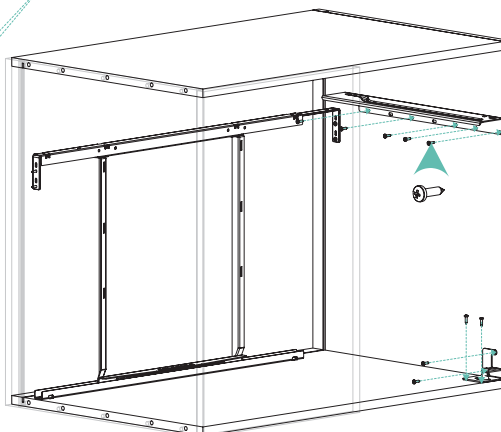
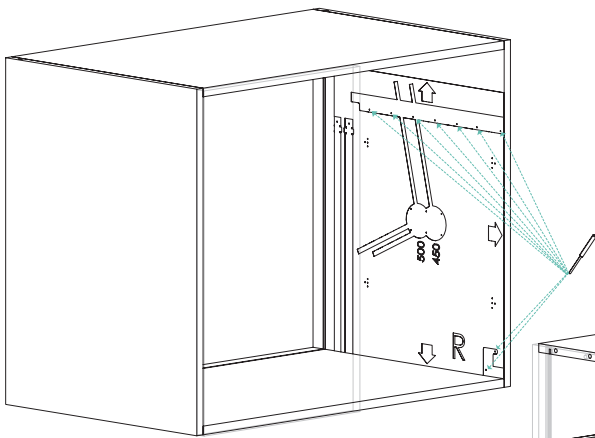
Attach the bottom track of the rear frame (A) to the positions given (fig 1).
Mount the upper part of the rear frame (A) to the bottom track (fig 2).
Extend the arms and fix in place (fig 3).
Tighten the grub screws to lock the arms (fig 4).
Remove transport tabs and discard (fig 5)



9 of 4x16 Self-tapping screws

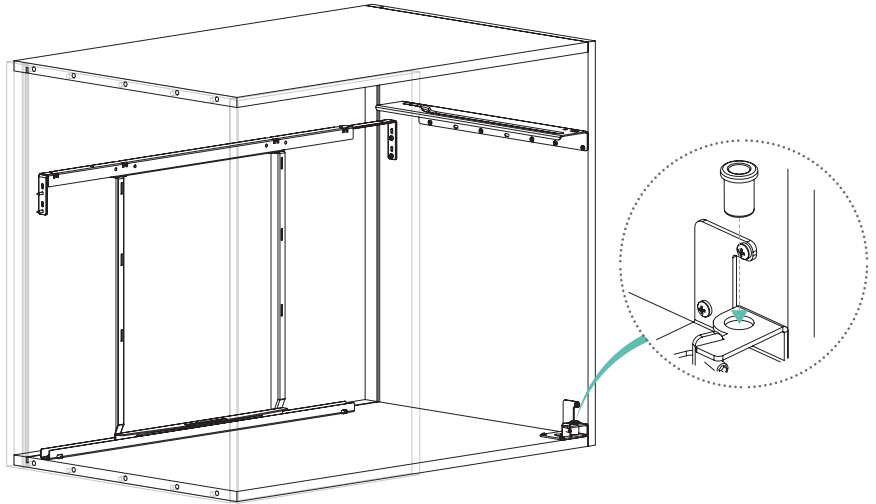
3

Mount the lateral bracket (B) and the stop bracket (F) into the positions shown by following the dimensions or marking the positions using the marking template (O).



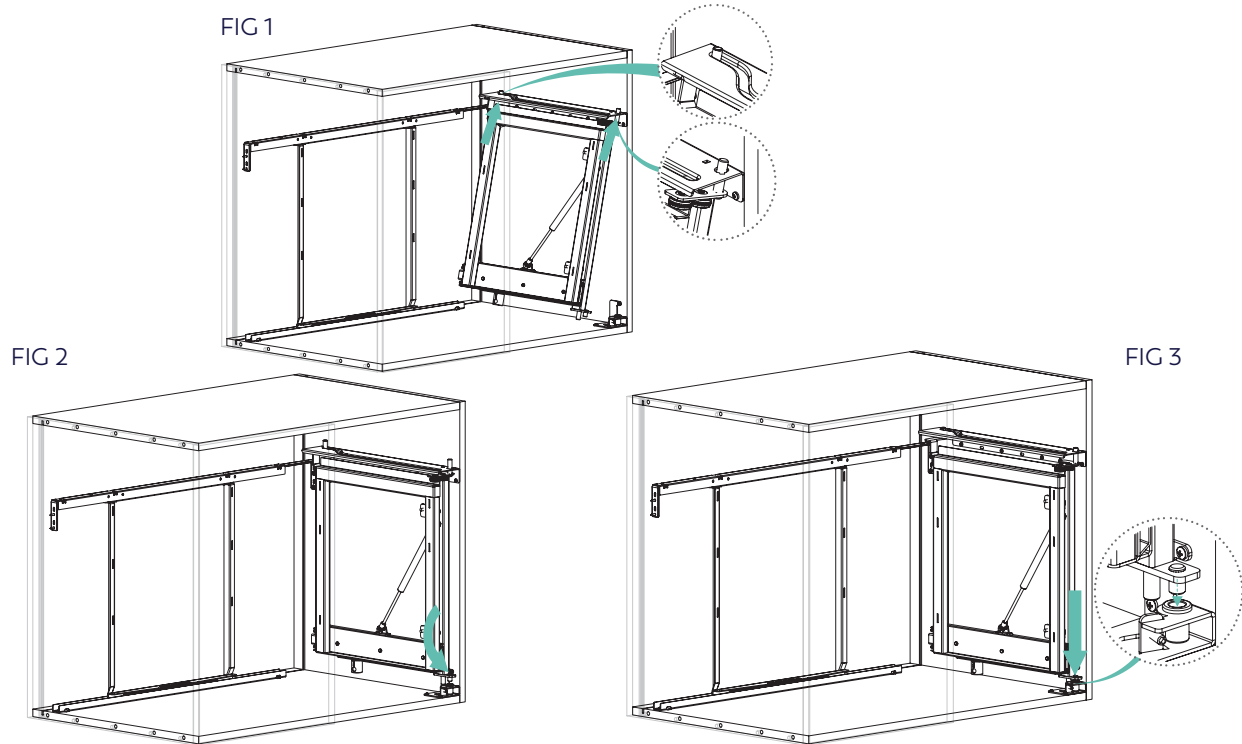
4

Push the lower bushing (D) into the hole in the stop bracket (F) as shown.



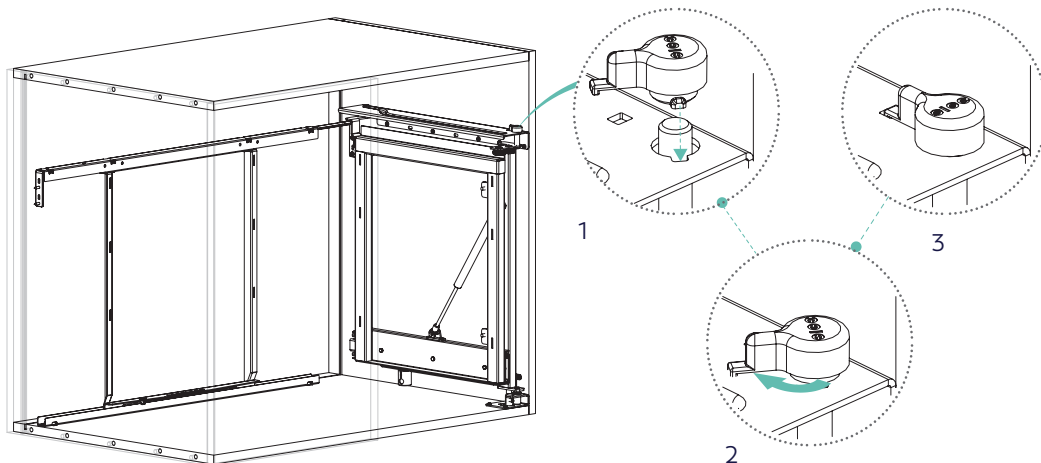
5

Fit the top pins of the side frame (C) into position in the lateral bracket (B) as shown (fig 1)
Lower the bottom pin of the frame into the bush in the stop bracket (F) (Fig 3)



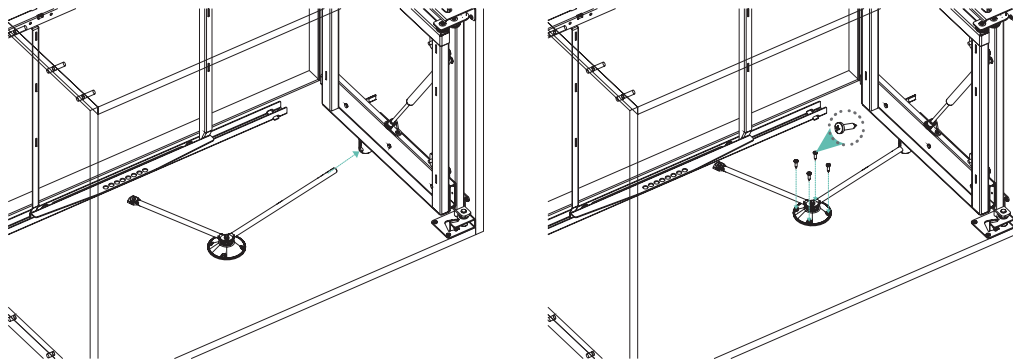
6

Fit the upper bushing (E) and turn until the tab locks into place.



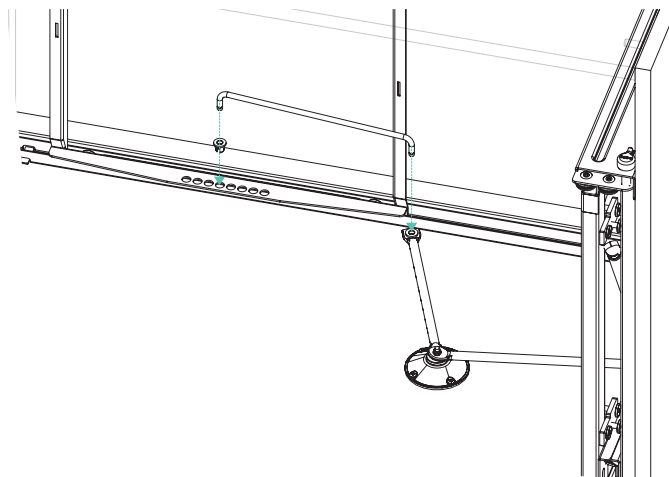
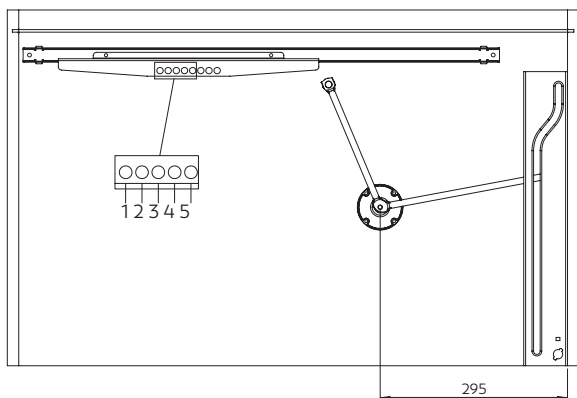
7

Slide the plain end of the centre pivot (I) into the guide at the bottom of the side frame (C) and fix in the position previously marked.



8

Using the post connectors (L) clip the linking arm (M) into the centre pivot (I) and the 4th or 5th hole of the rear frame (A) as shown.

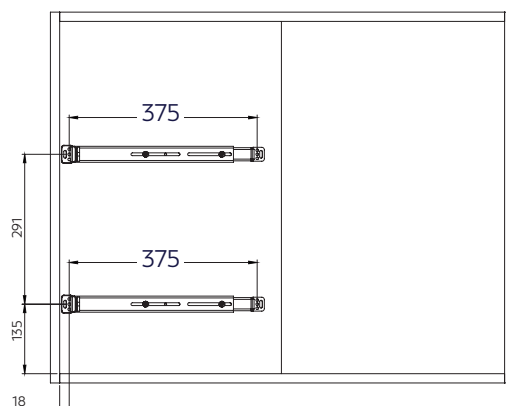
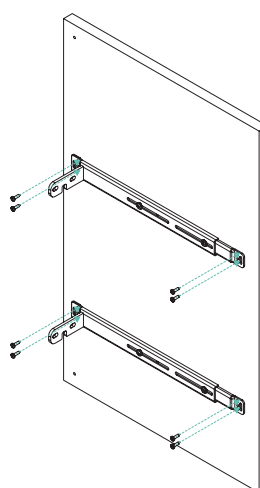
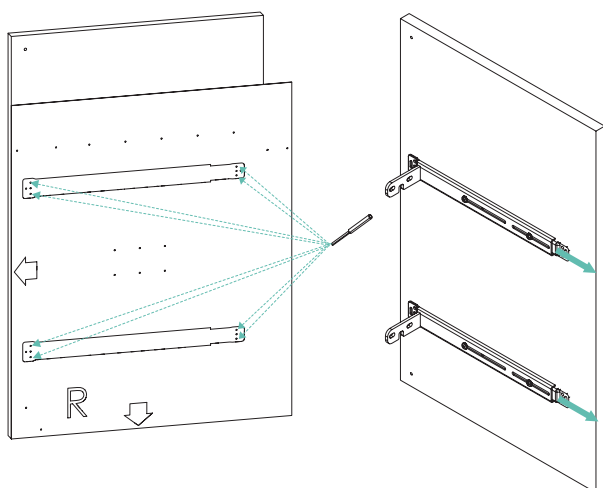


8 of 4x16 Self-tapping screws



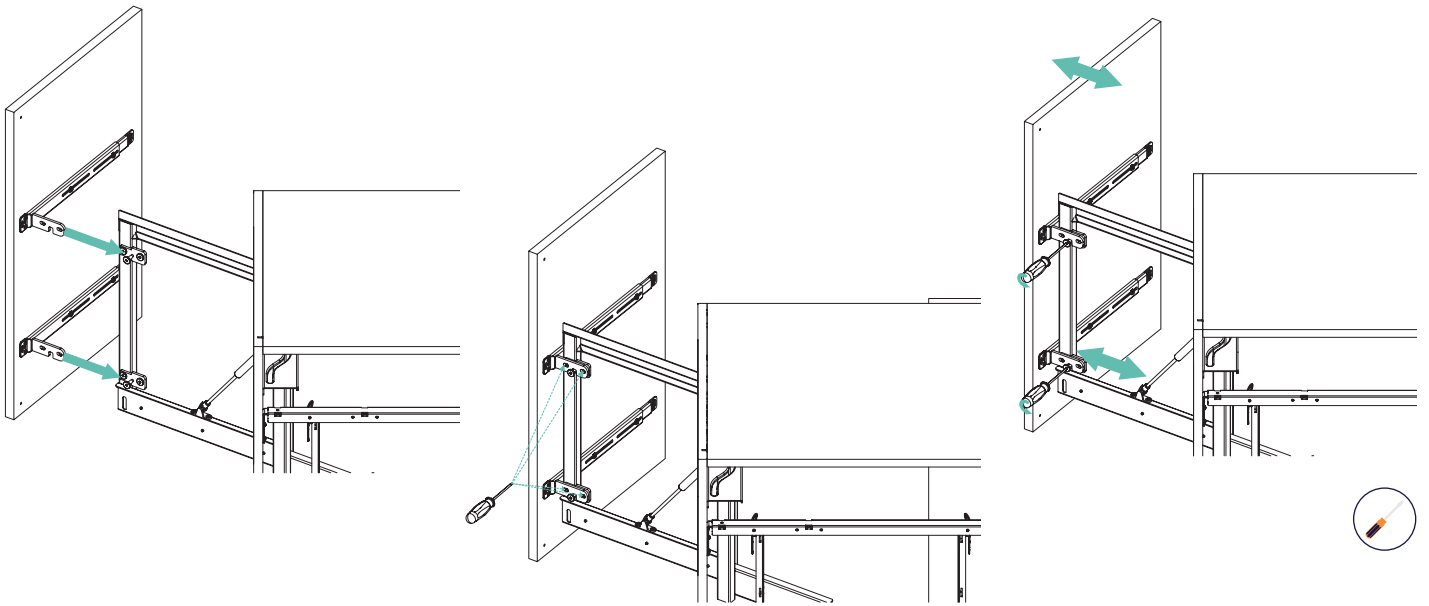
9

Mark out the door using the marking template (O) or by following the dimensions shown and attach the door brackets (H)



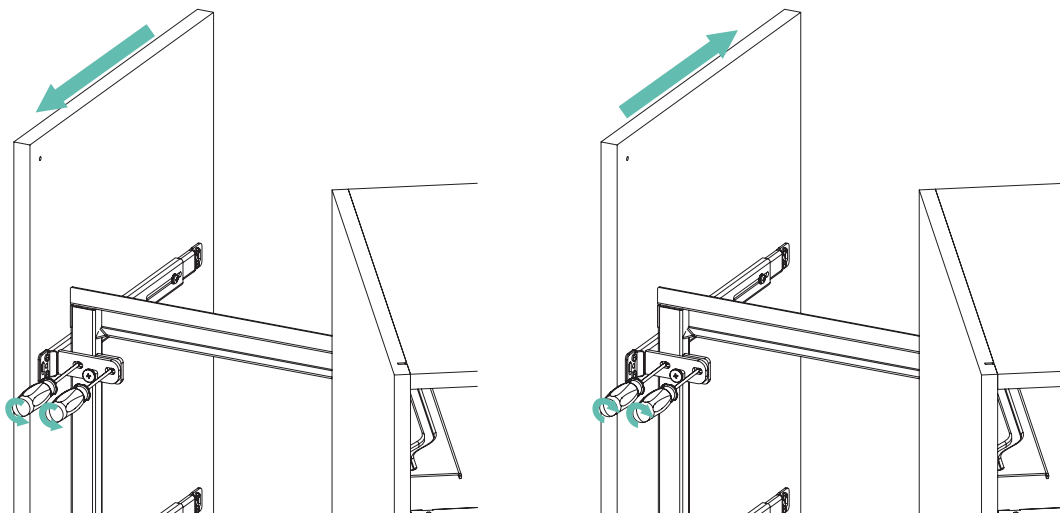
10

Mount the door brackets (H) onto the side frame (C) and tighten the locking screws.



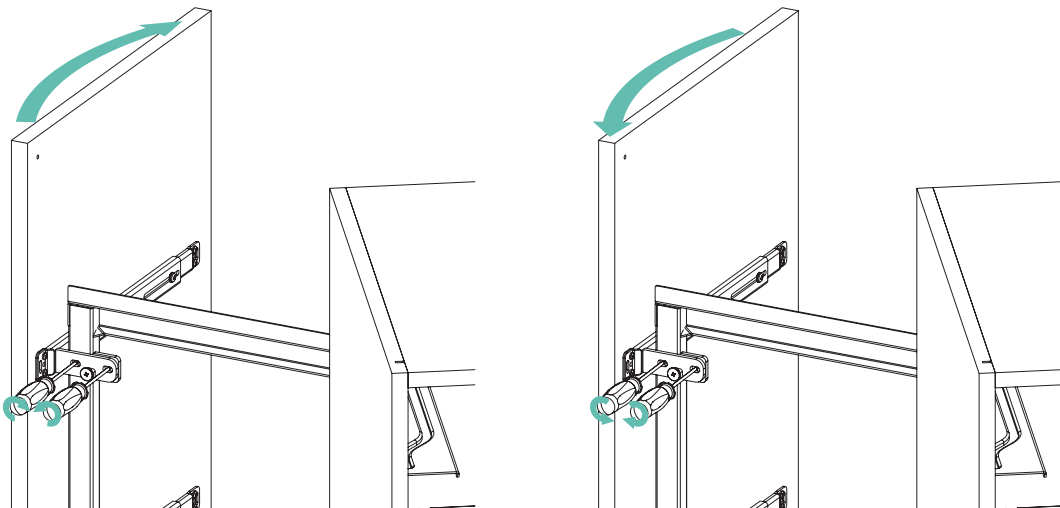
11

Loosen locking screws to make adjustments as shown.



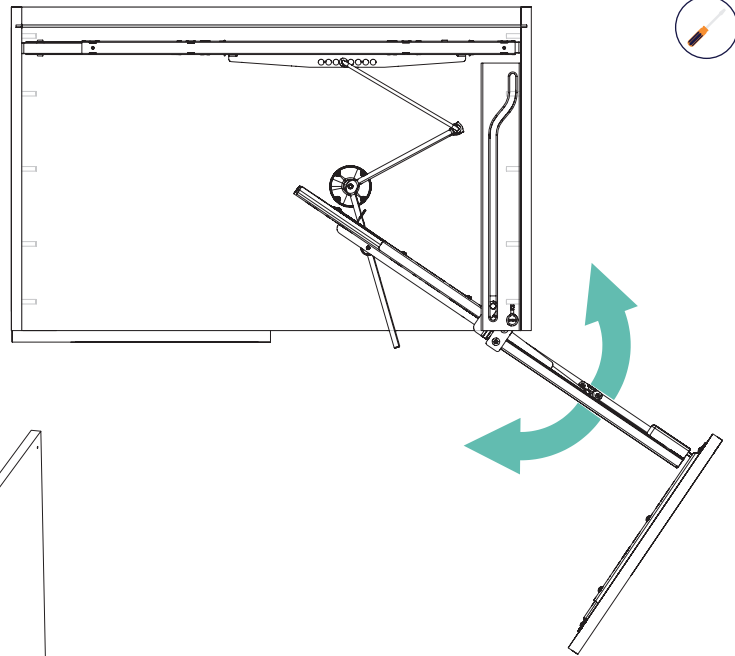
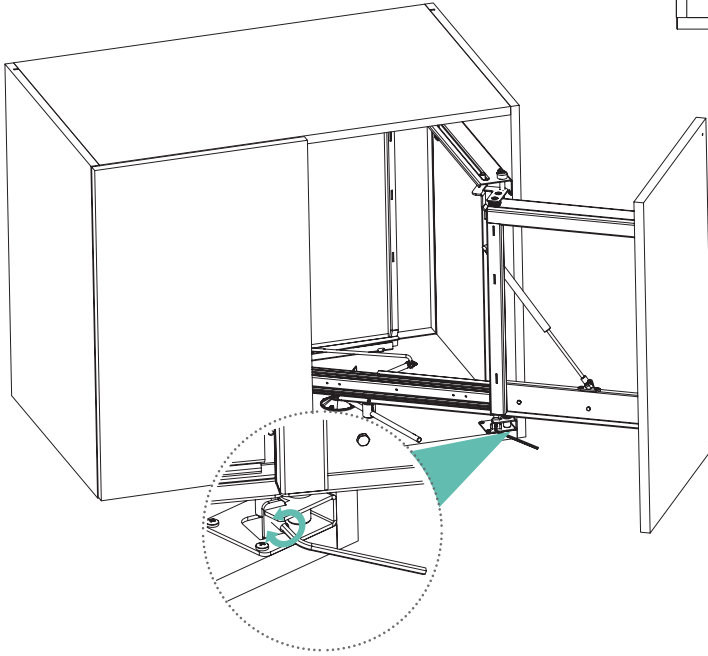
12

Tighten locking screws after adjustments are complete.



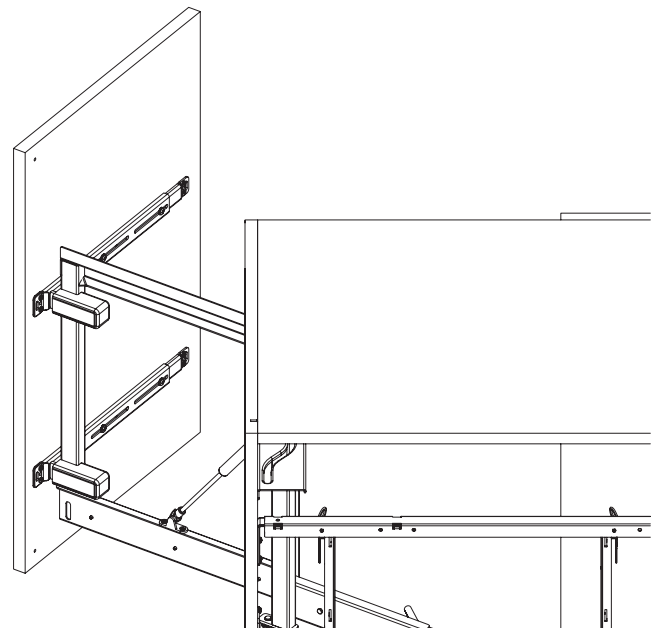
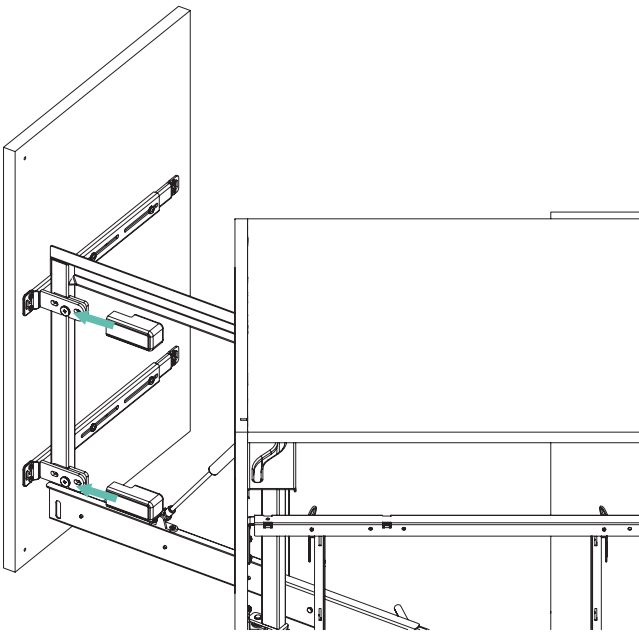
13

Use the set screw in the stop bracket (F) to adjust the opening angle.



14

Install the cover caps (N) as shown.



15

Insert the basket hooks (P) into the frames (A, C) and install the baskets,

