

Do not use powered screw drivers for adjustment.

FITTINGS

- 2 of M6x35 Socket head machine screw
- 8 of 4x16 Self tapping screw
- 1 Allen key

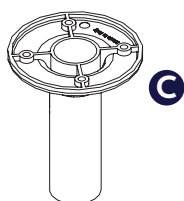
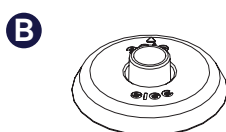
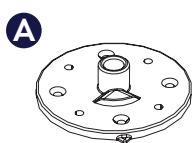
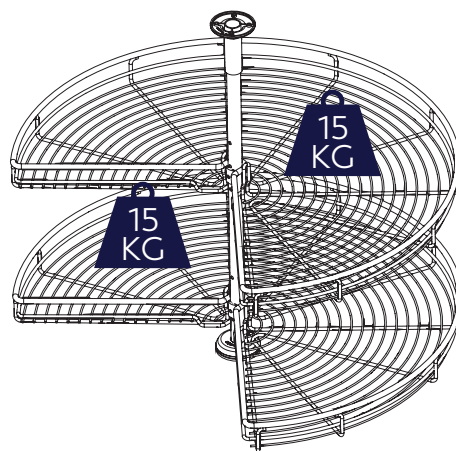
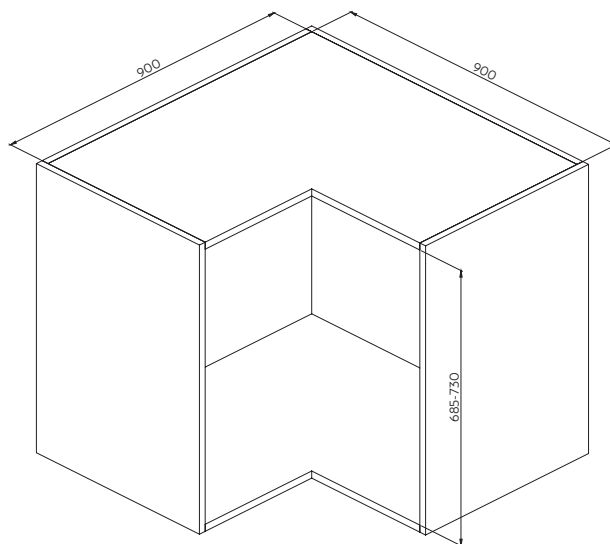
COMPONENTS

- A. Bottom mounting plate
- B. Rotating cover
- C. Upper socket
- D. Tube
- E. Backing plate
- F. Basket

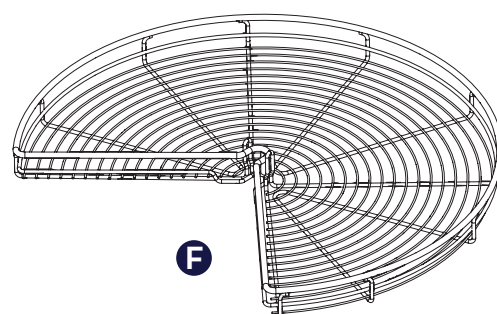
MAINTENANCE

Clean with a soft, dry cloth. Avoid using solvents or abrasive.

TOOLS



E



F

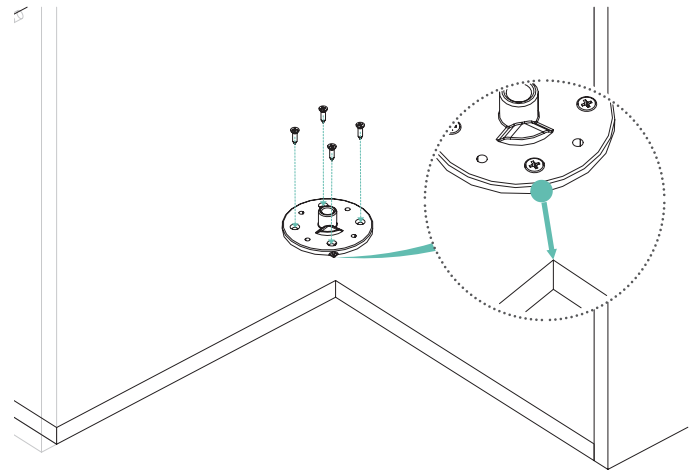
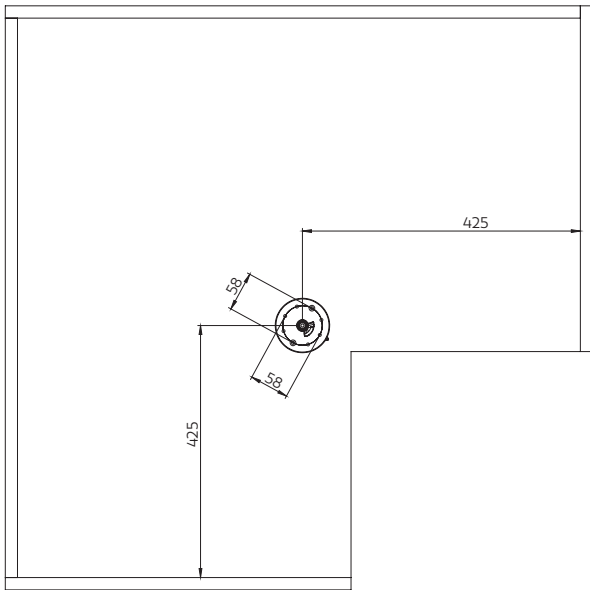


4 of 4x16 Self tapping screw



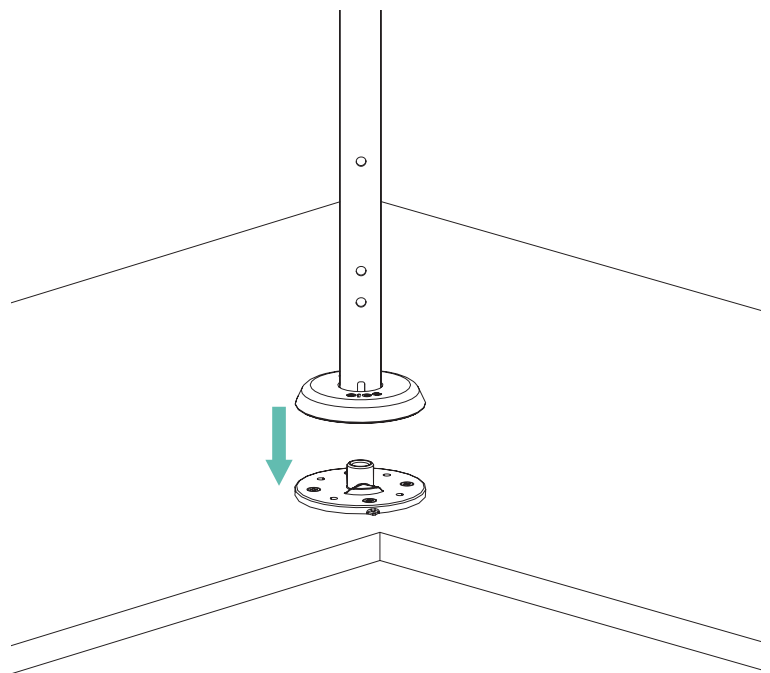
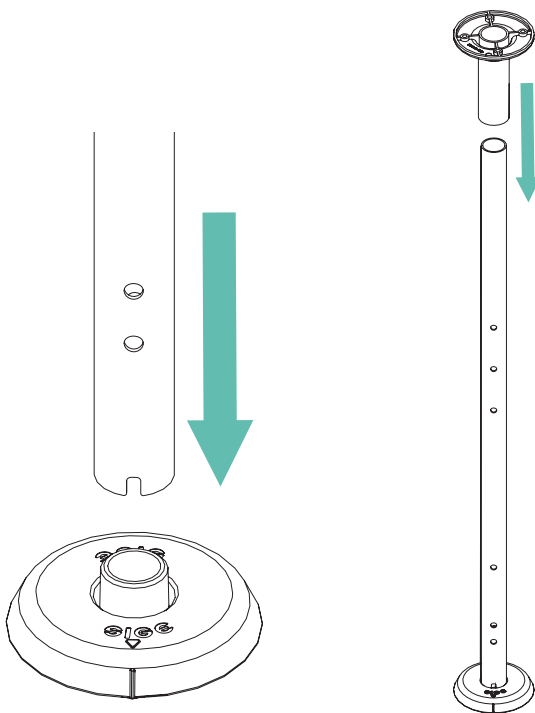
1

Attach the bottom mounting plate (A) to the cabinet base in the position shown.



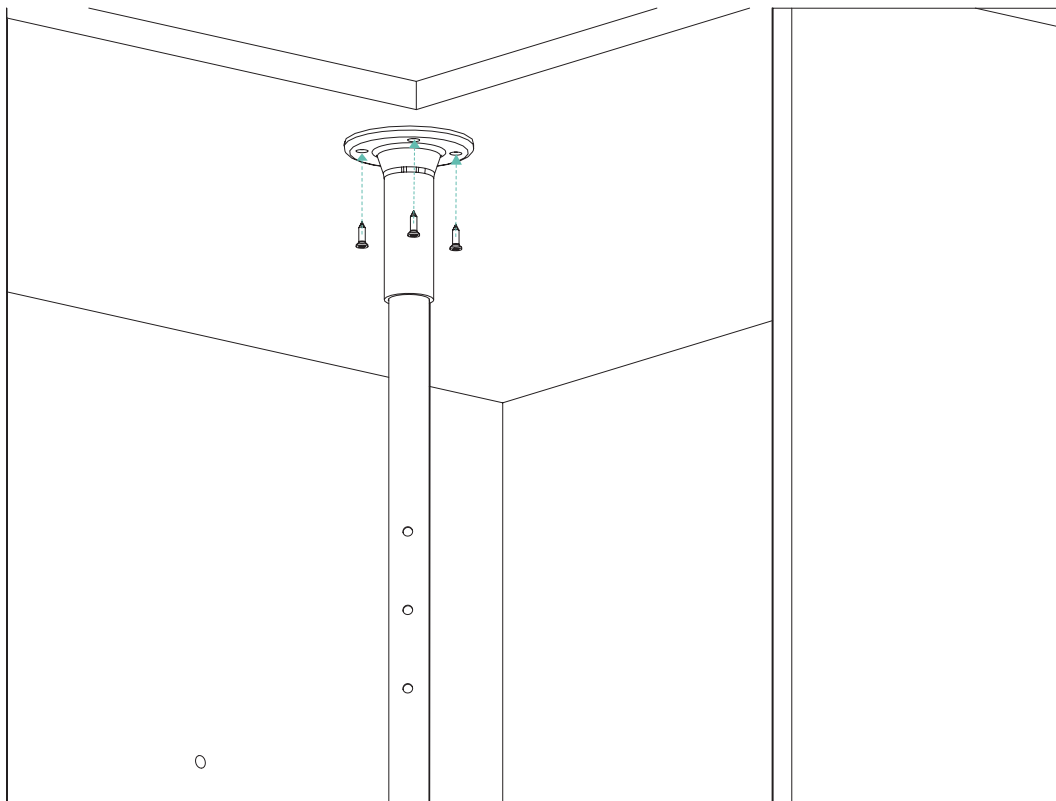
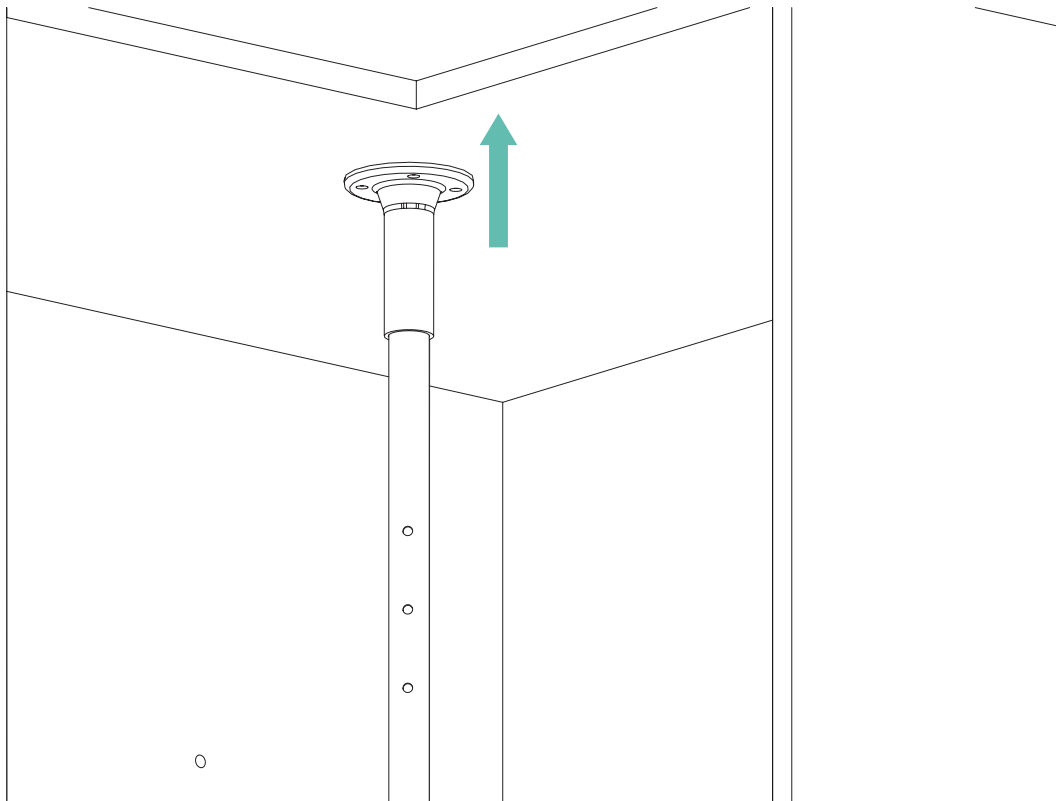
2

Insert the tube (D) in the rotating cover (B), then insert everything into the bottom mounting plate (A).



3

Screw the upper socket (C) on the top of the cabinet ensuring the post is plumb.





2 of M6x35 Socket head machine screw



4

Insert the basket (F) in the tube, and screw it in place tightening the screw into the backing plate (E).

