

Do not use powered screw drivers for adjustment.

FITTINGS

- 4 of M6x40 machine screw
- 2 of M5x14 machine screw
- 24 of 4x16 Self-tapping screw

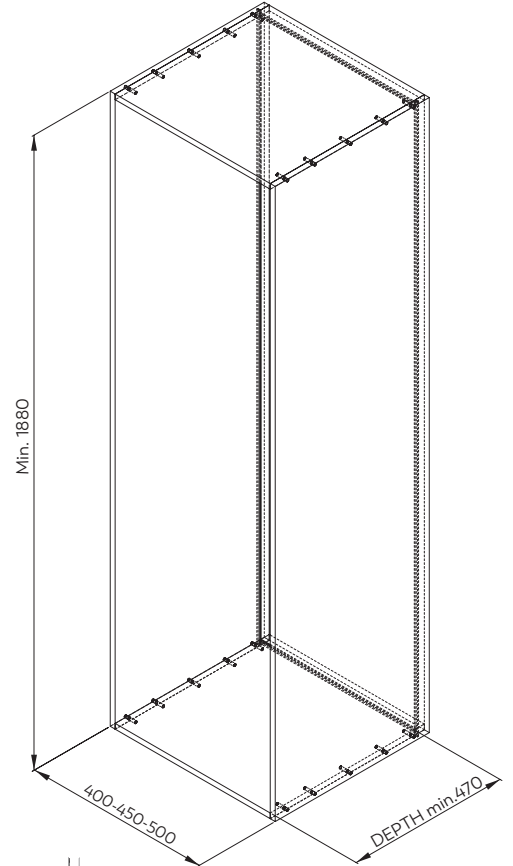
COMPONENTS

- A. Frame
- B. Bottom slide
- C. Lateral slide
- D. Lateral slide guide
- E. Door bracket
- F. Hook for baskets
- G. Baskets
- H. Door bracket cover set

MAINTENANCE

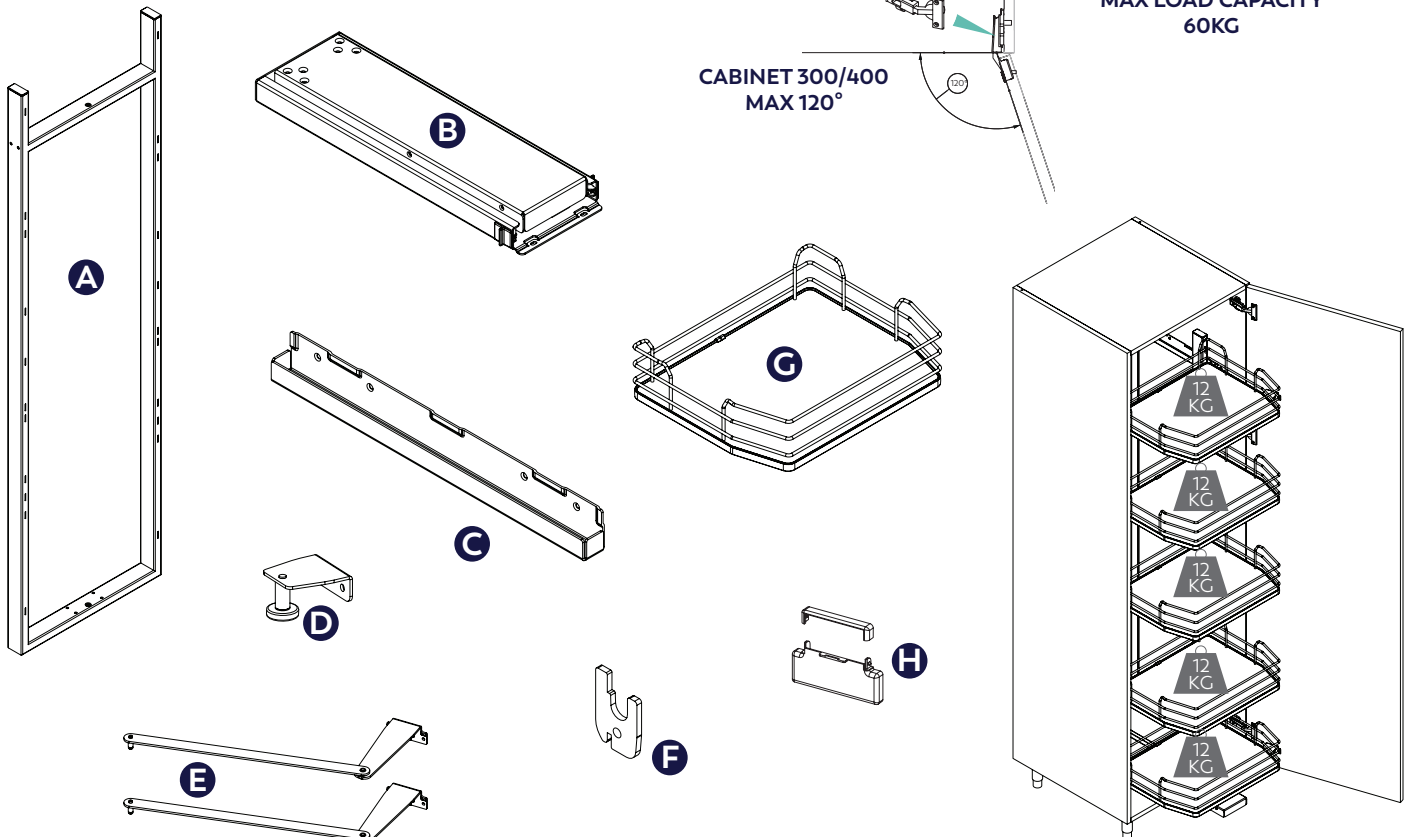
Clean with a soft, dry cloth. Avoid using solvents or abrasives.
Do not lubricate bearings or slides.

TOOLS



MAX LOAD CAPACITY
60KG

CABINET 300/400
MAX 120°



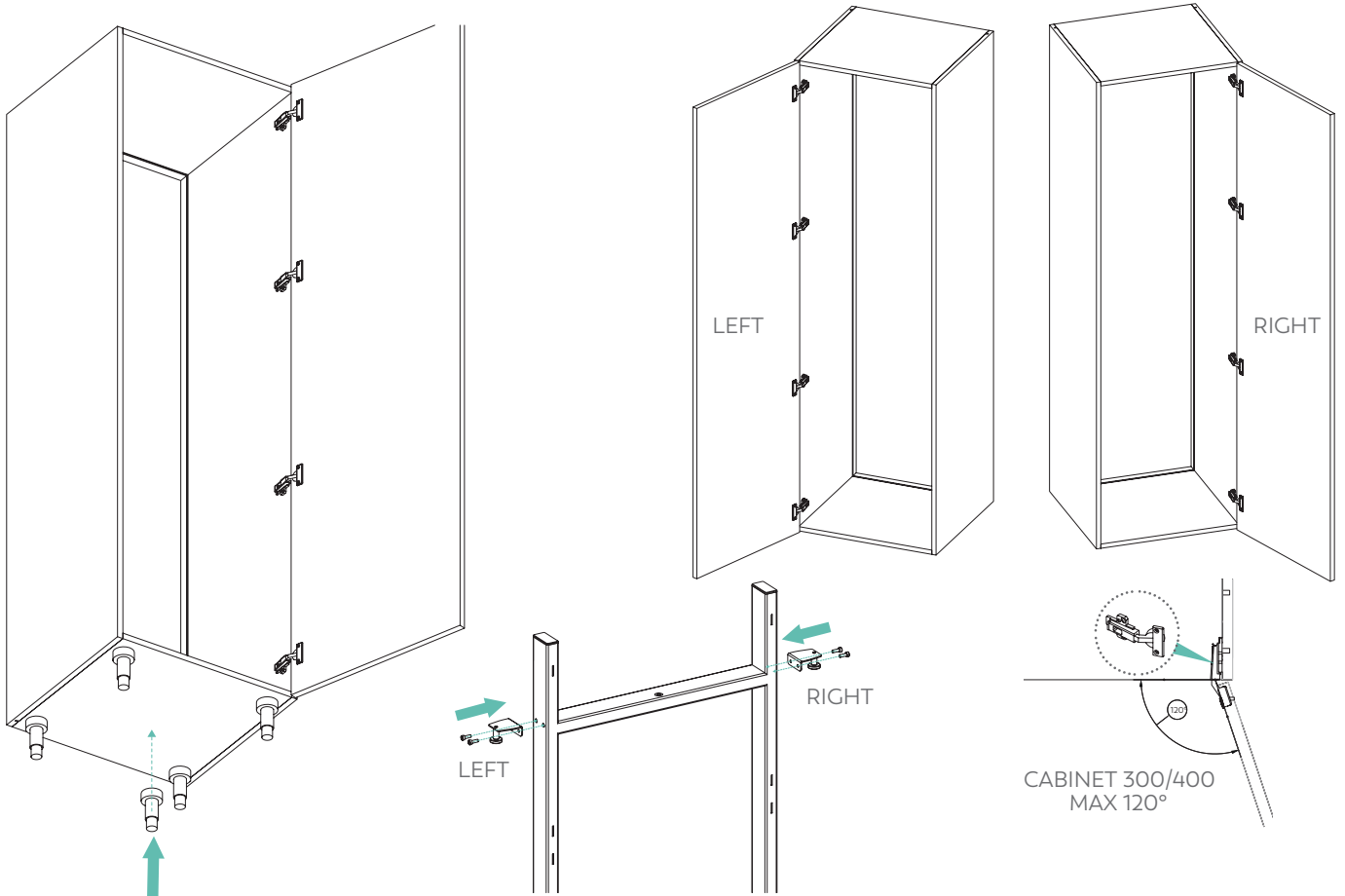


2 of M5x14 machine screw



1

Choose the door opening direction and then screw the lateral slide guide (D) to the frame (A) by using the two screws M5x14, so that the guide is on the hinge side of the frame.



Ensure base of cabinet is adequately supported.

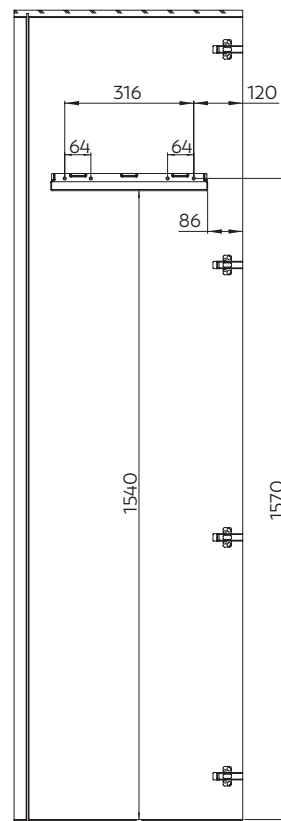
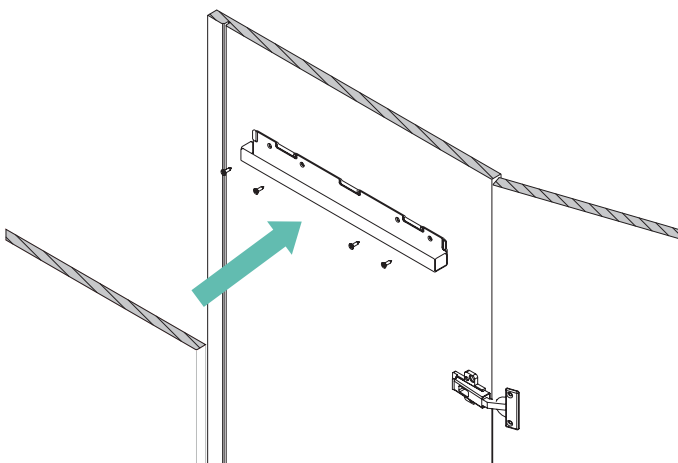


4 of 4x16 Self-tapping screw



2

Install the lateral slide (C) onto the side of the cabinet following the measurements shown.



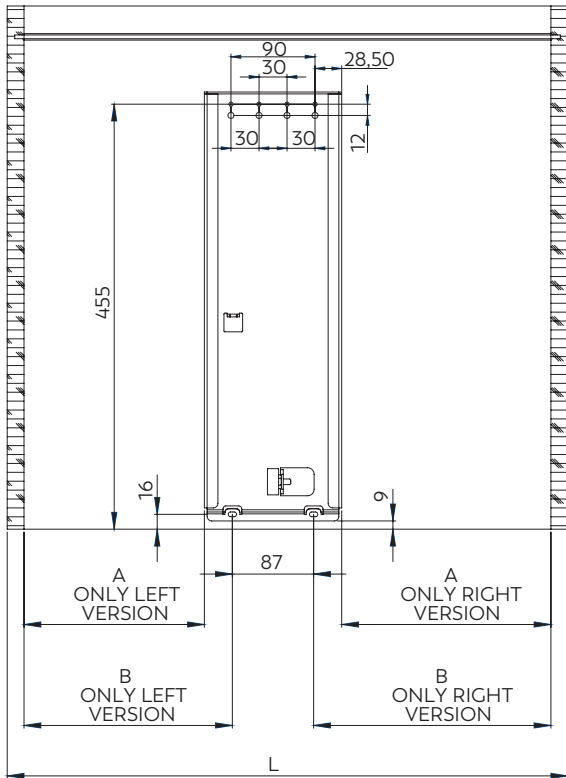


6 of 4x16 Self-tapping screw

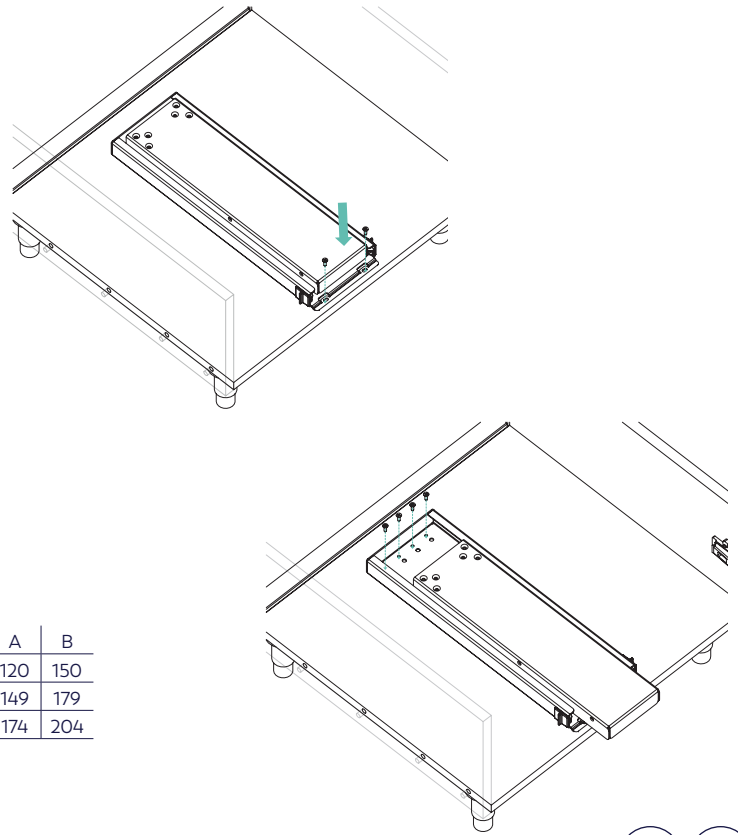


3

Fix the bottom slide (B) on the bottom of the cabinet following the dimensions shown on the hinge side of the cabinet.



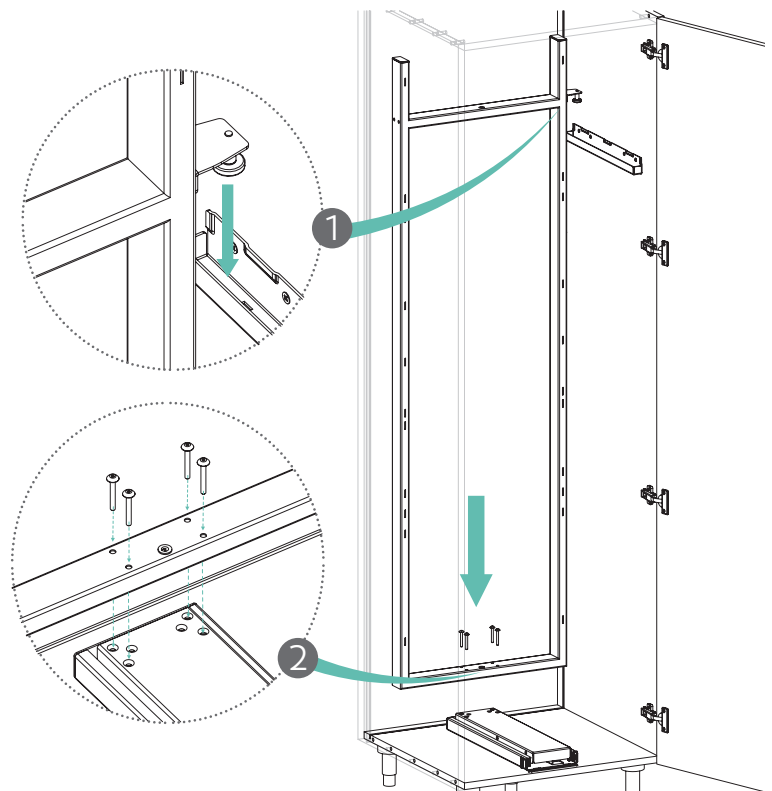
L	A	B
400	120	150
450	149	179
500	174	204



4 of M6x40 machine screw

4

Insert the frame (A) and fix it by using the four screws M6x40, as shown.



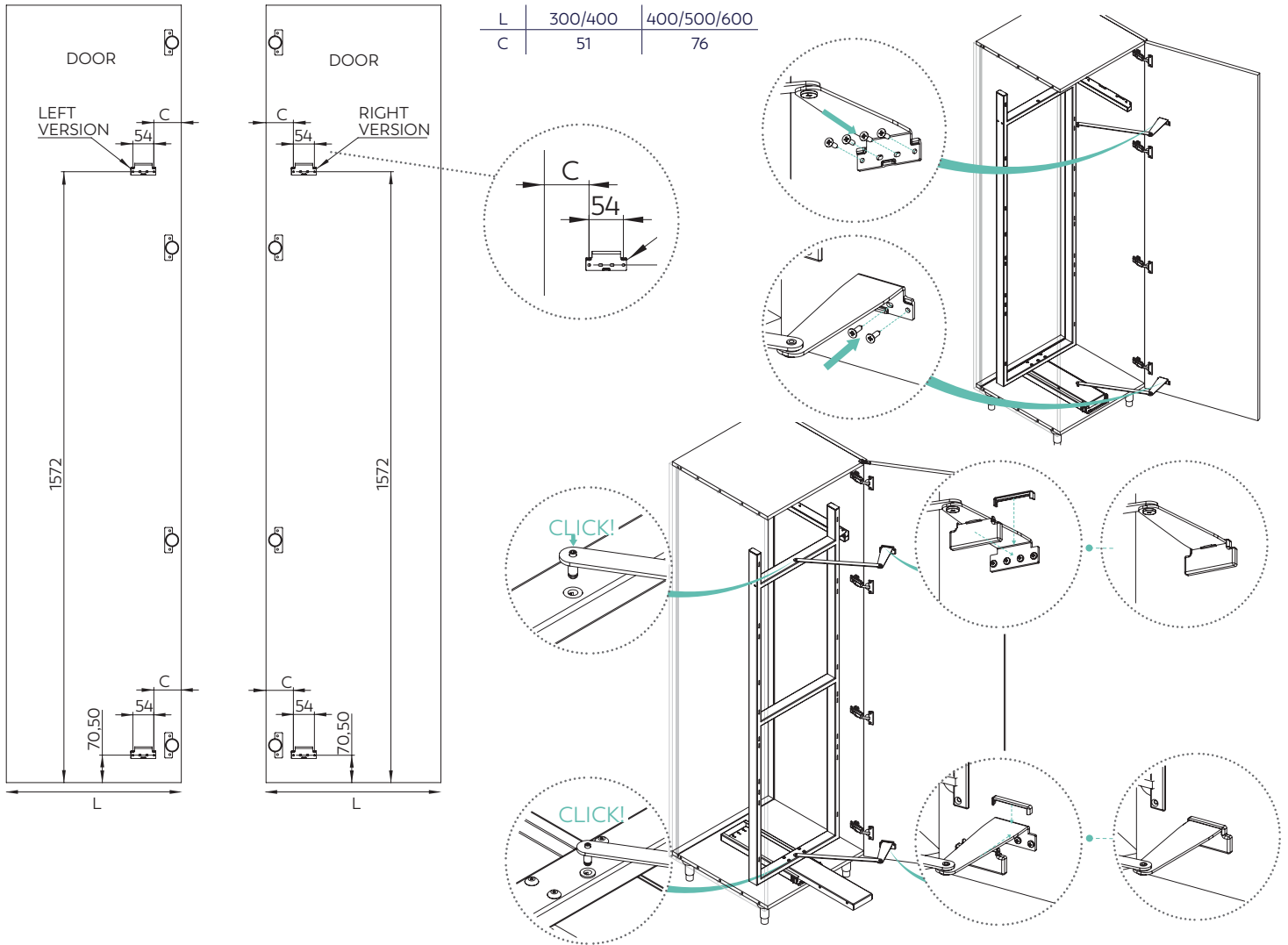


6 of 4x16 Self-tapping screw



5

Install the door brackets (E) on the door following the dimensions shown and clip them into the frame (A). Install the covers (H), as shown in the pictures.



6

As indicated, install the hooks (F) into the frame and finally hang the baskets as shown.

