

Do not use powered screw drivers for adjustment.

FITTINGS

12 of 3.9x13 Self tapping screw pan head
8 of 4x16 Self tapping screw countersunk head
4 of M4x5 Special machine screw
2 of M6x10mm Pan head machine screw
2 of M6 Washer

	2x24L	2x32L
Z	min 520	min 650

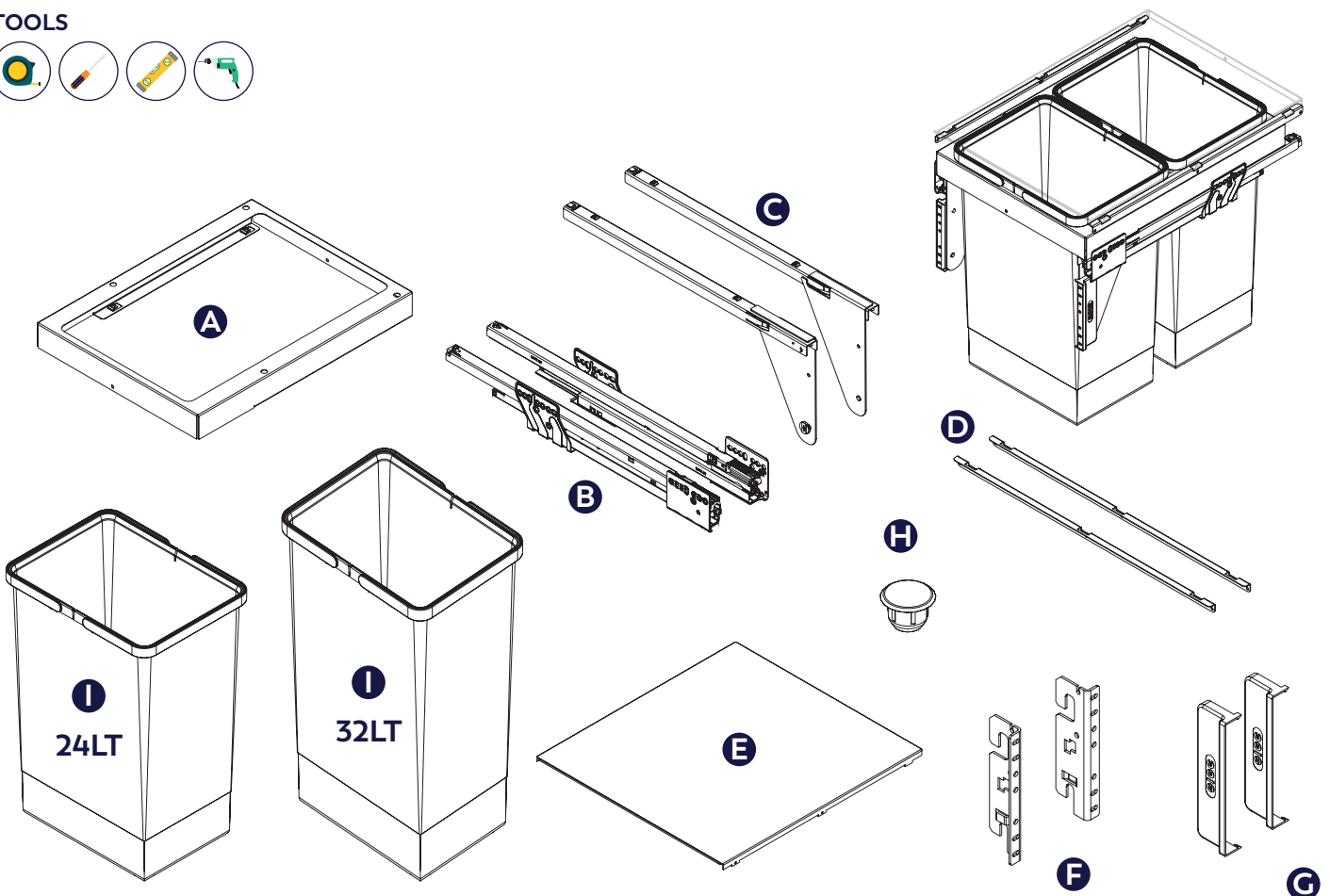
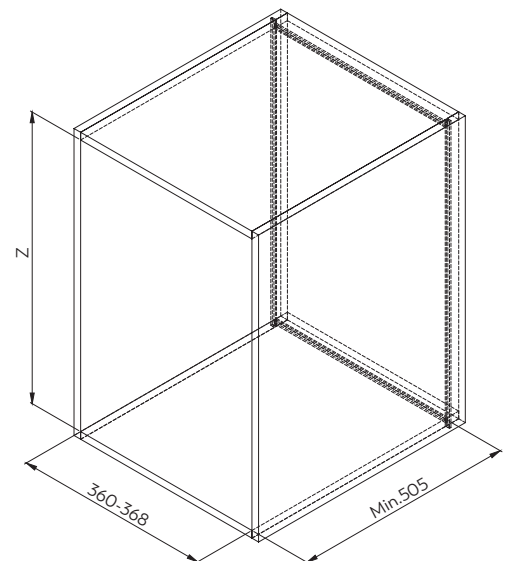
COMPONENTS

A. Metal frame
B. Kit Grass slides (pair)
C. Slide cover
D. Lid holder (Pair)
E. Lid
F. Door fixing brackets
G. Door bracket cover
H. Stopper
I. Wastebin 32L
I. Wastebin 24L

MAINTENANCE

Clean with a soft, dry cloth. Avoid using solvents or abrasive.
Plastic waste bins can be washed with warm water and mild detergent.
Allow to dry completely before use.

TOOLS



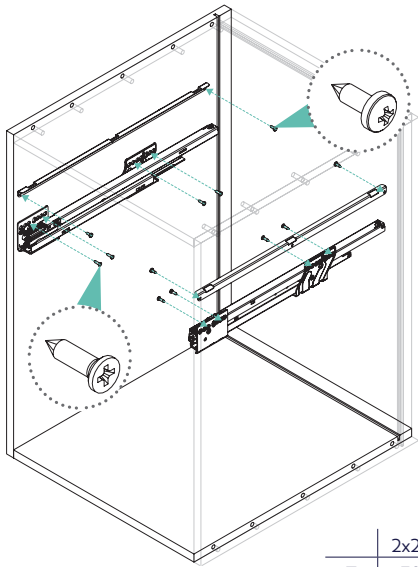


4 of 3.9x13 Self tapping screw pan head
 8 of 4x16 Self tapping screw countersunk head

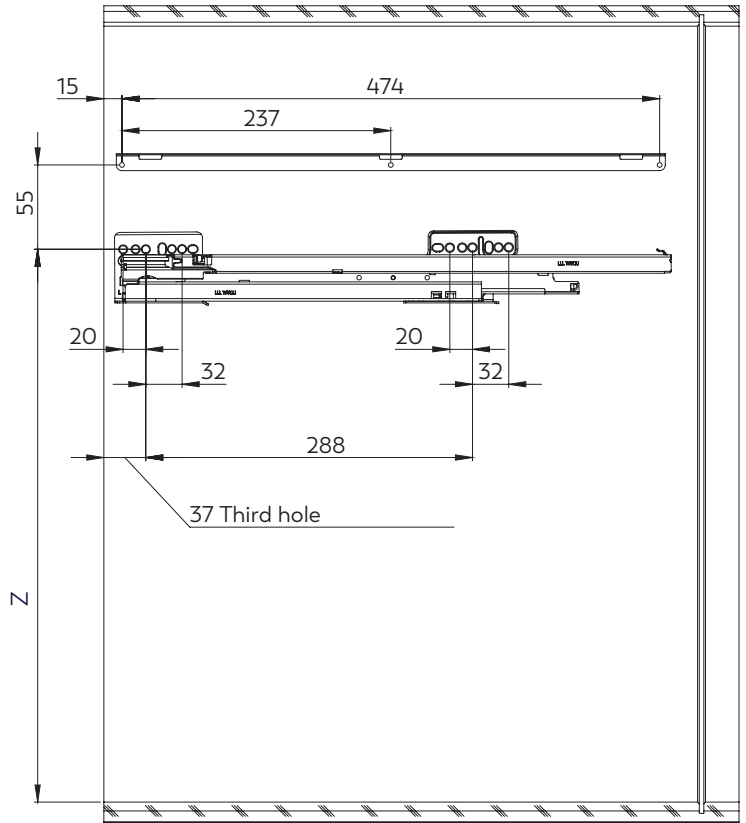


1

Fix the Grass slides (B) and the lid holder (D) according to the dimensions shown.

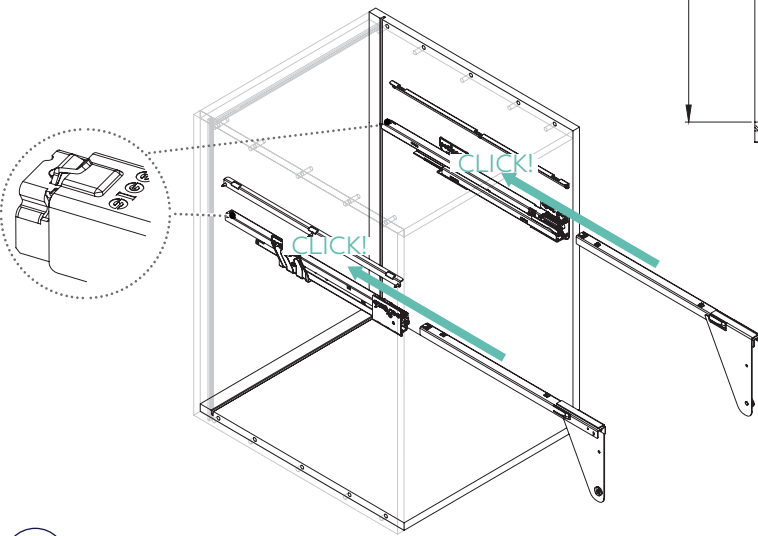


	2x24L	2x32L
Z	395	541



2

Clip the slide Covers (C) into the Grass slides (B).

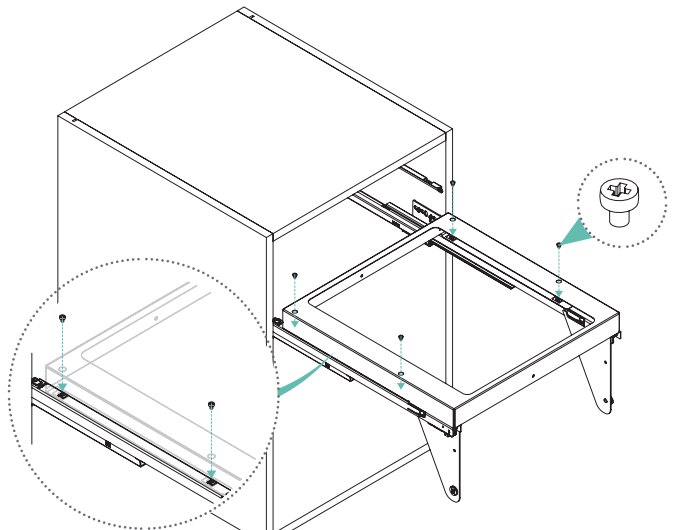
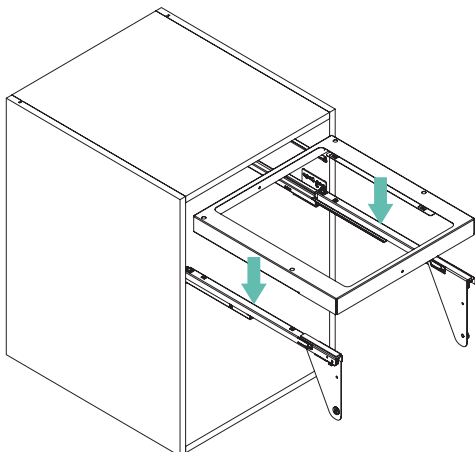


4 of M4x5 Special machine screw



3

Screw the metal frame (A) into the slide cover (C) by using the specific provided screws.



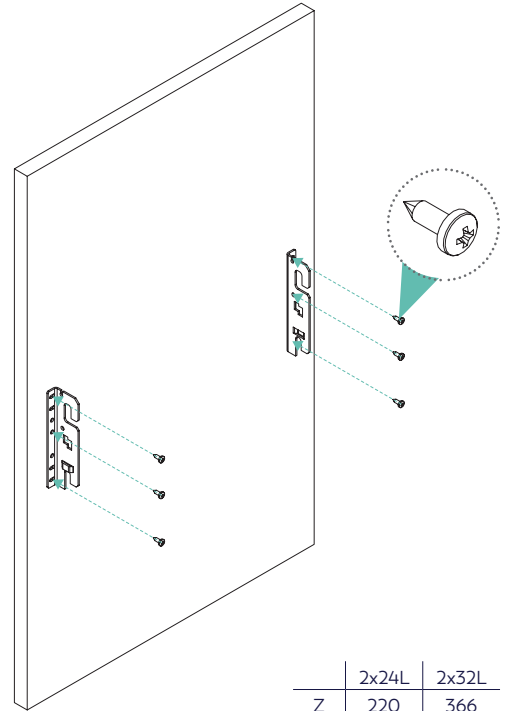
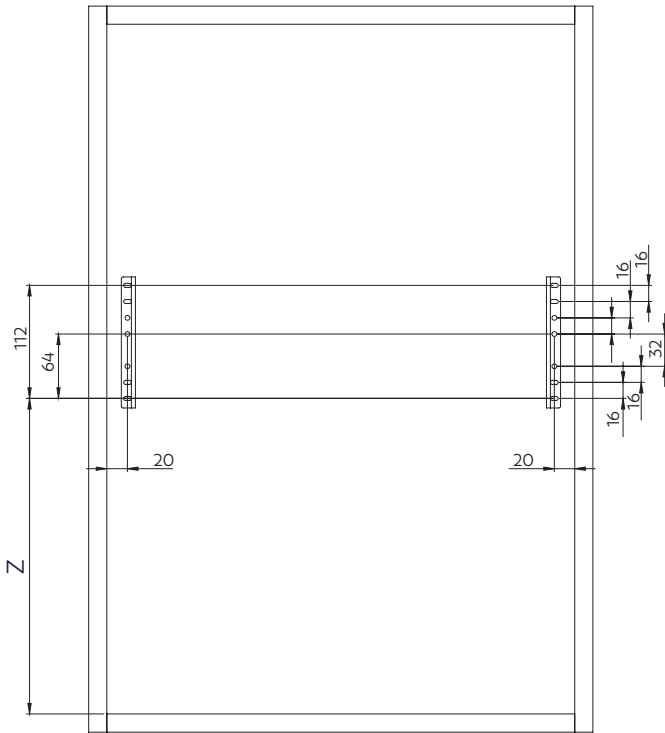


4 of M4x5 Self tapping screw pan head



4

Attach the door fixing brackets (F) according to the dimensions shown.



	2x24L	2x32L
Z	220	366

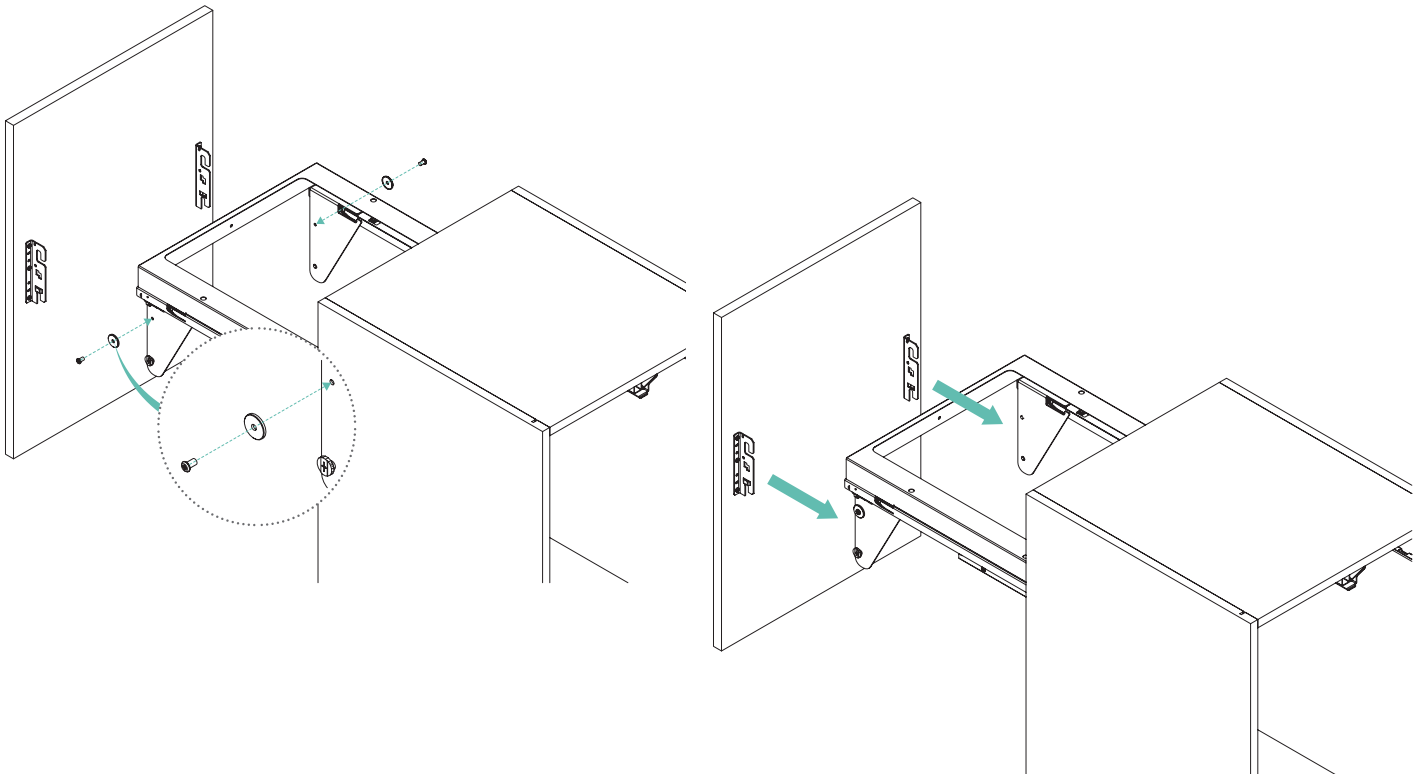


2 of M6x10mm Pan head machine screw
2 of M6 Washers



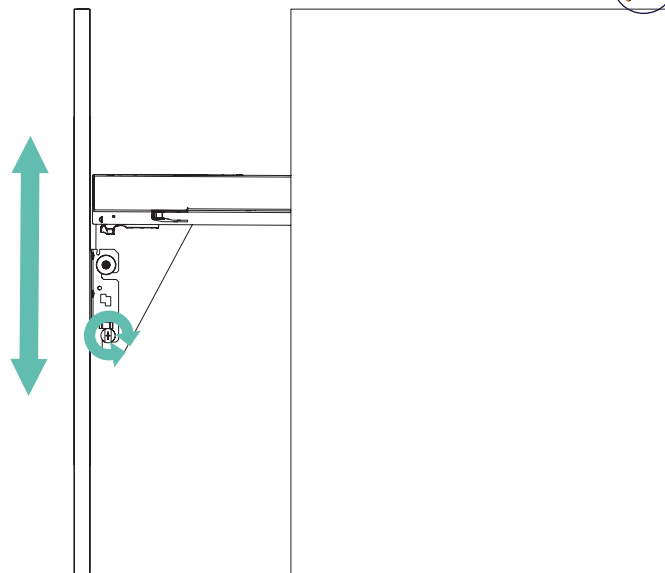
5

Pre-assemble the M6x10 screws and washers then mount the door on the slide covers (C) as shown.



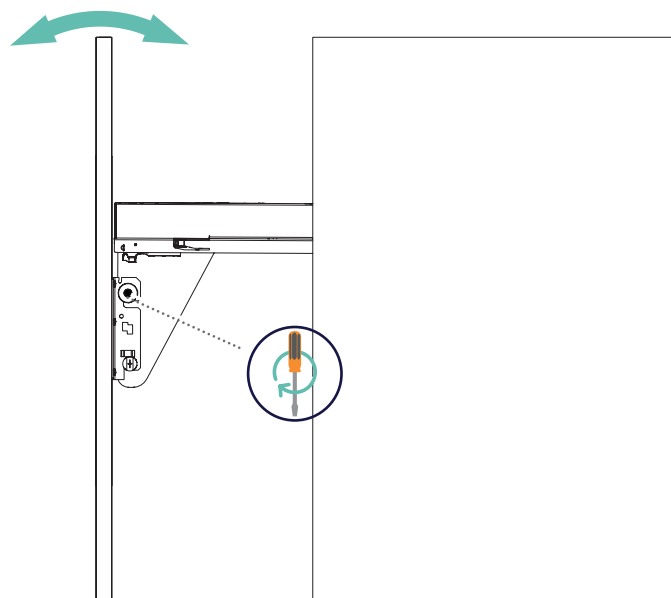
6

Adjust the door up and down by turning the eccentric screw.

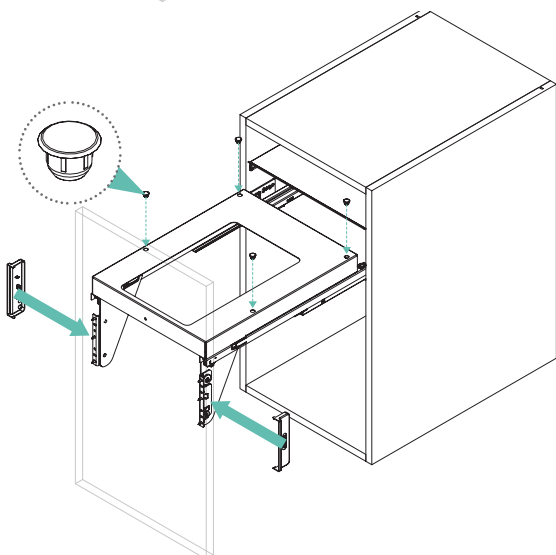
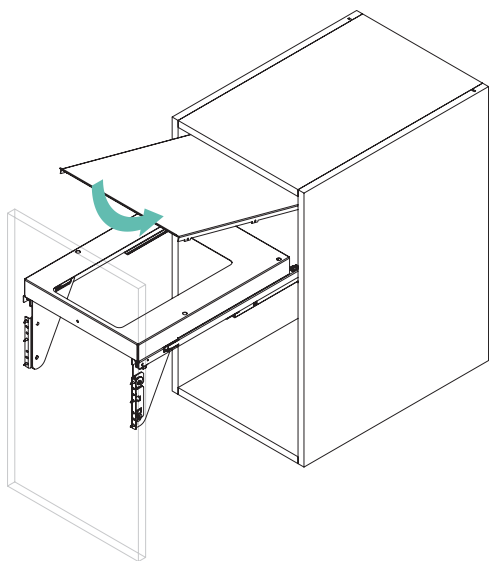


7

Adjust the door inclination to the front or to the back, then tighten the two M6x10 screws.



8



9

