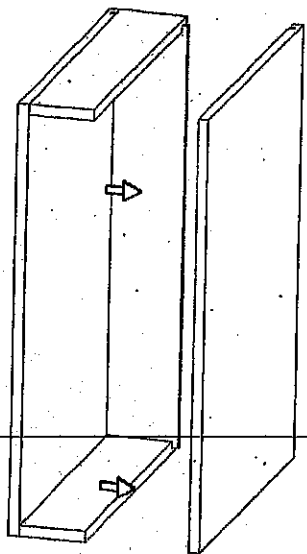
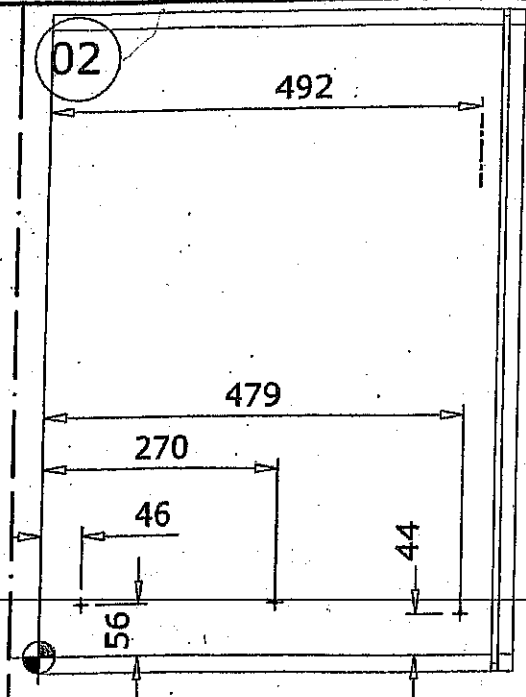


01

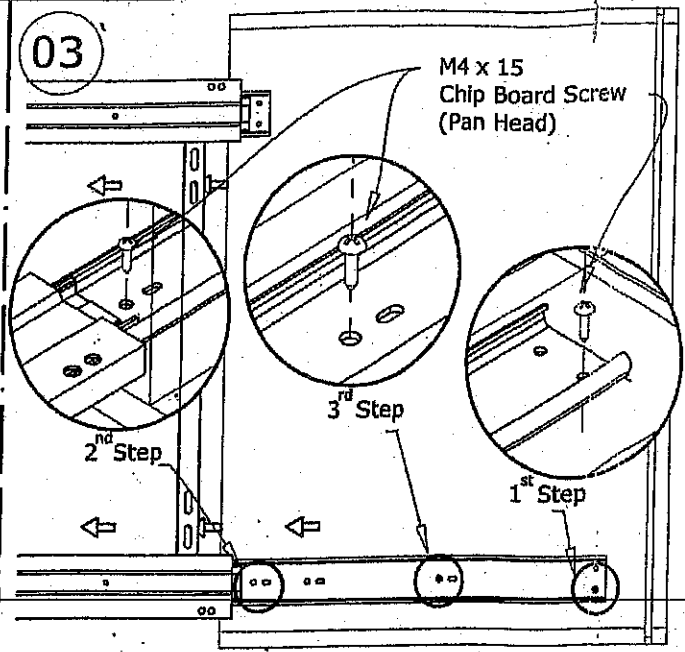


02



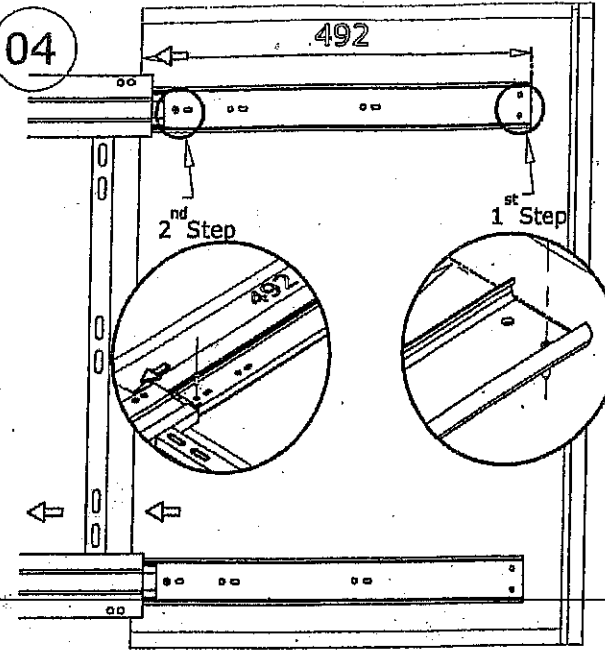
Make mark at 46mm, 270mm & 479mm from the **edge of Cabinet**. Mark 56mm & 44mm from **Bottom (inside) edge of Cabinet**.

03



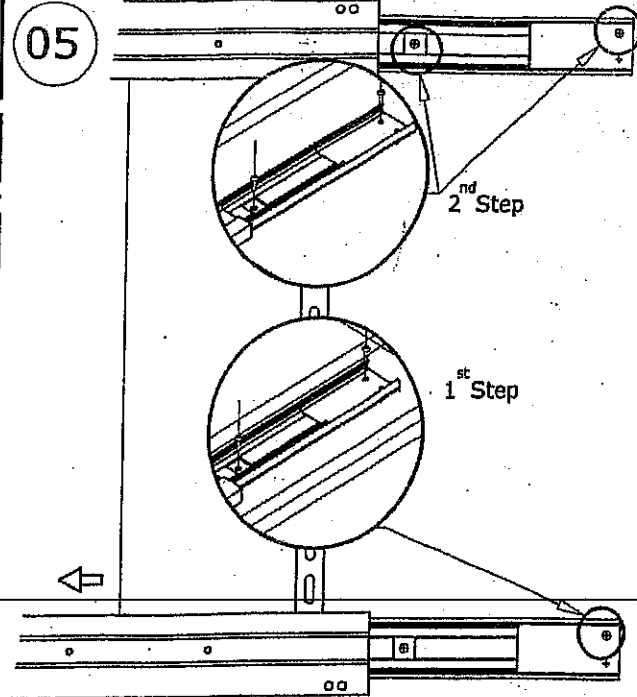
Extend the Bottom Slide & fix the screws to the marked position as shown.

04



Extend the Top slide holding Frame **completely opened**. Fasten the screws as shown.

05

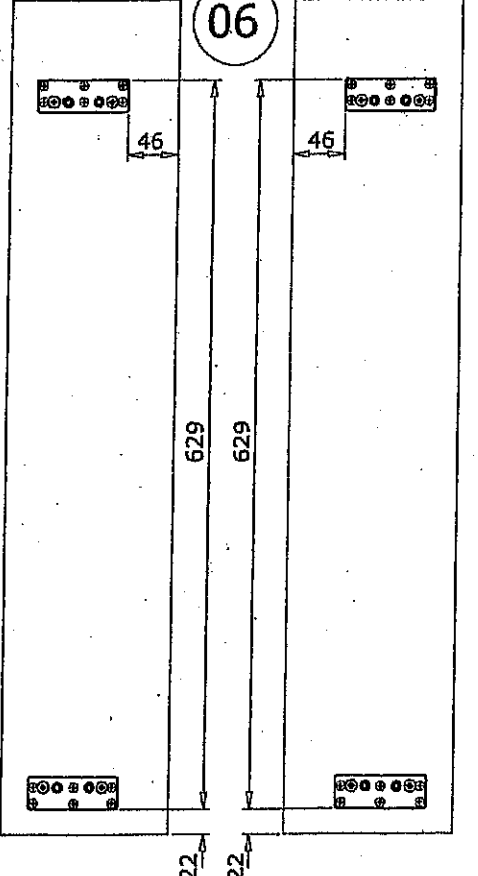


Move the Frame in and out to check the **FREE** movement of Frame.

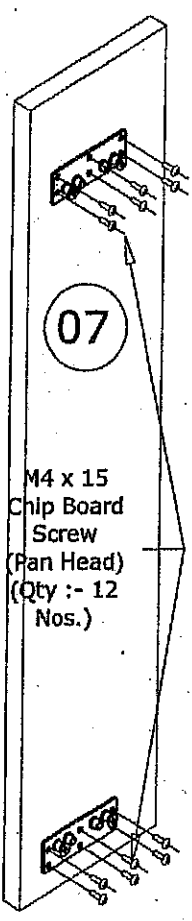
Door mounting Detail for Left side

Door mounting Detail for Right side

06

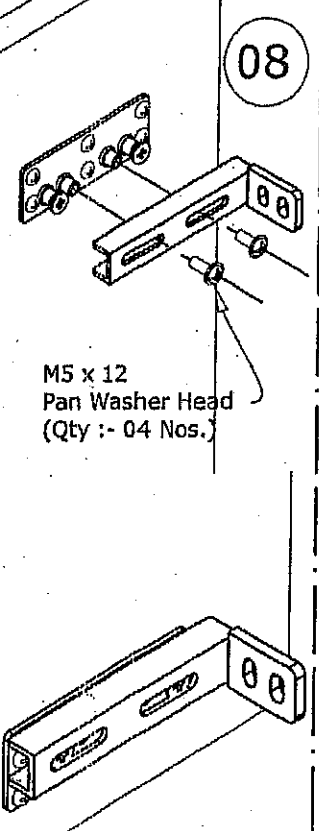


07



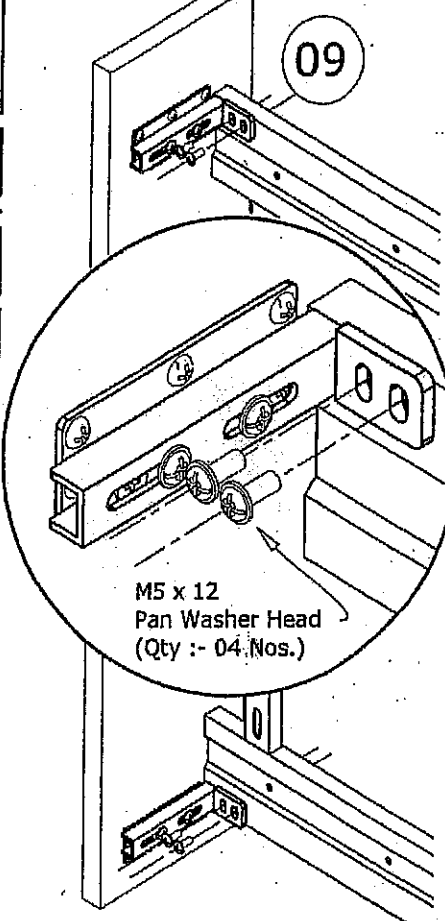
M4 x 15 Chip Board Screw (Pan Head) (Qty :- 12 Nos.)

08



M5 x 12 Pan Washer Head (Qty :- 04 Nos.)

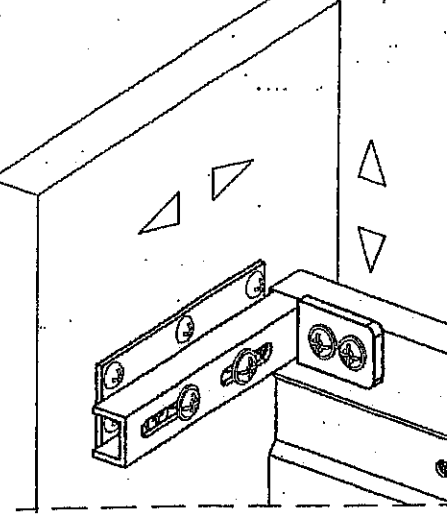
09



M5 x 12 Pan Washer Head (Qty :- 04 Nos.)

10

Level the Door for Side, Top & Bottom by shifting in the Slots.



If the Door has Gap on the Top or Bottom, loosen the **Holding Screw** & Turn the adjustment Screw **CLOCK WISE** to Reduce the Door Gap.

Door Gap

Adjustment Screw

Holding Screw

EASY INSTALLATION
SPB UNIVERSAL
(For Left & Right Side Mounting)
Soft Close Series

All Dimension are in mm.

	Minimum Internal Cabinet Width		
SPB 15	114		
SPB 20	164		
SPB 30	264		
SPB 40	364		
Minimum Internal Cabinet Depth	495	Chip board Screw (Pan Head)	Pan Washer Head Bolt
Minimum Internal Cabinet Height	650		

Hanger Lock

