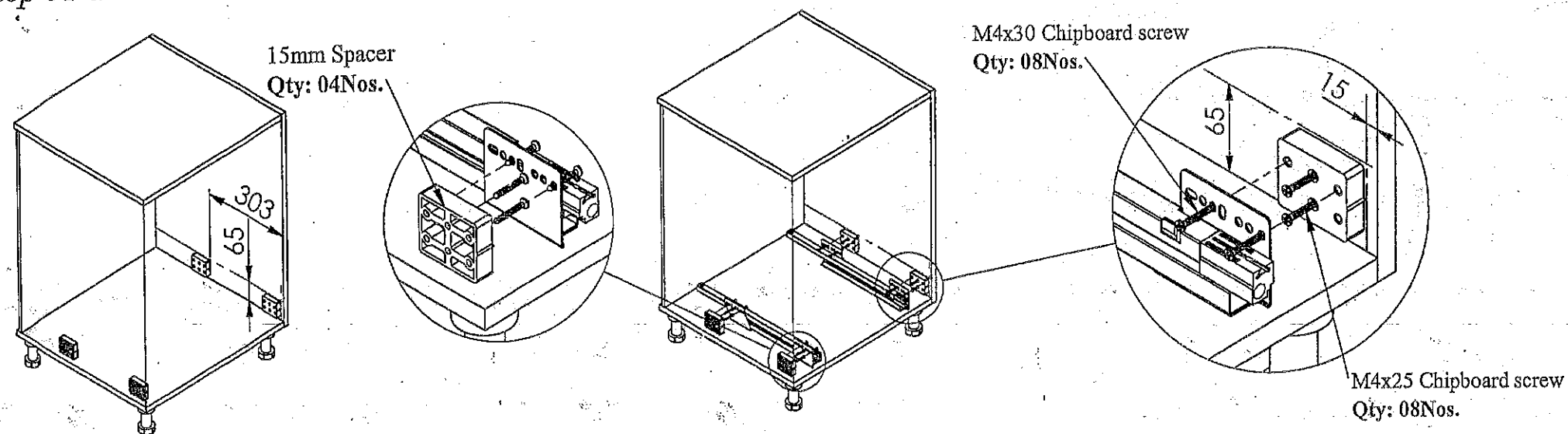


MP 90 WC & SB - GRASS

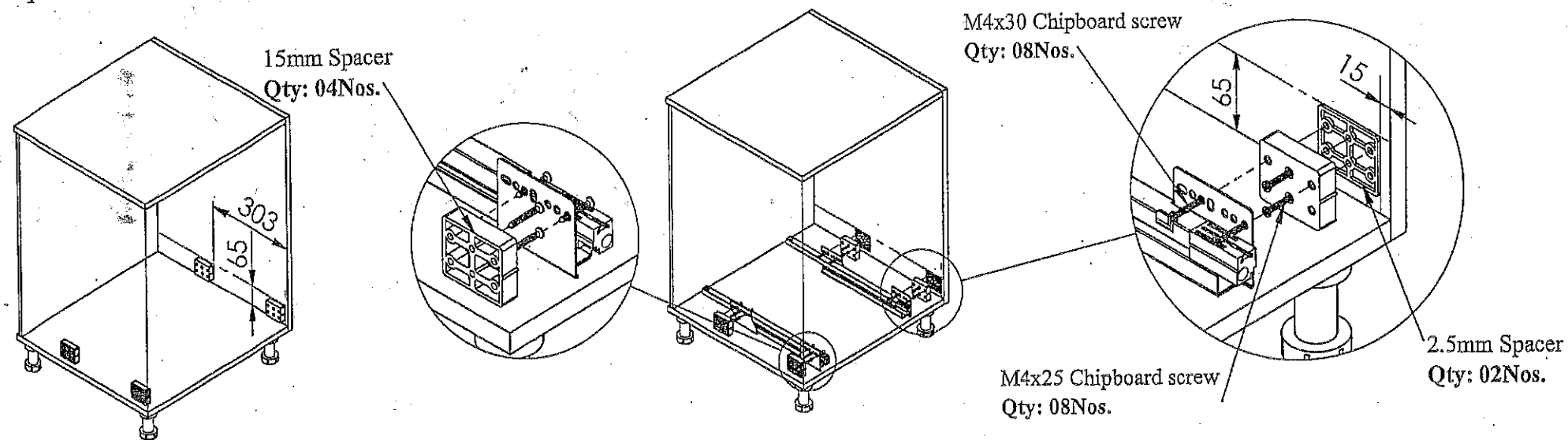
Cabinet board thickness 18/19mm : 15mm spacer required between slide and board on both the side

Step 01-a



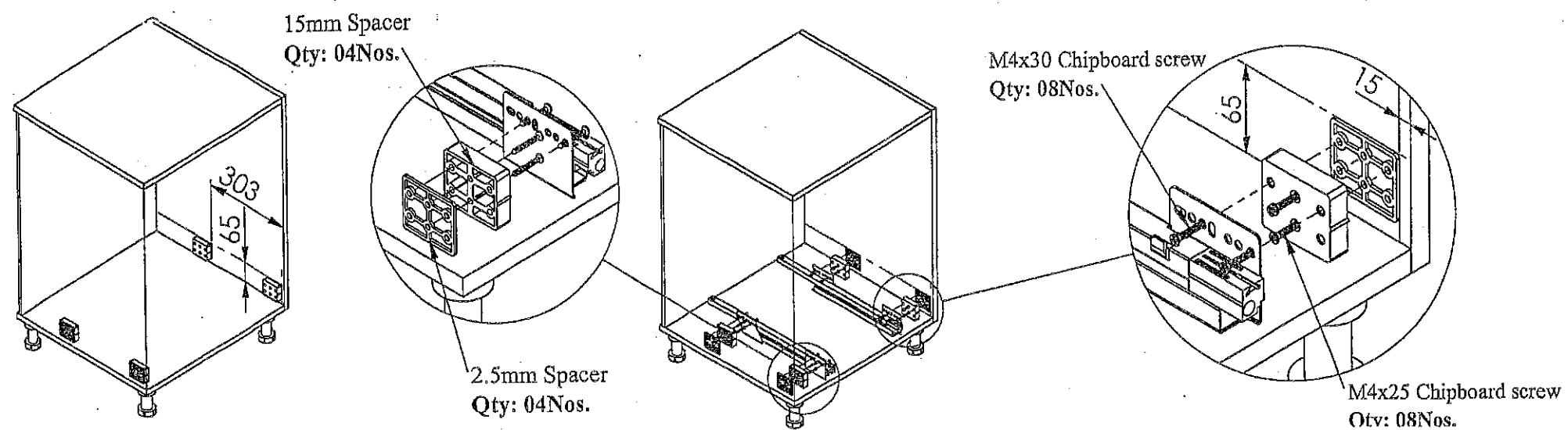
Cabinet board thickness 17mm : 15mm & 2.5mm spacer required between slide and board on one side and 15mm spacer on other side

Step 01-b



Cabinet board thickness 15/16mm : 15mm & 2.5mm spacer required between slide and board on both the side

Step 01-c



Step 02

