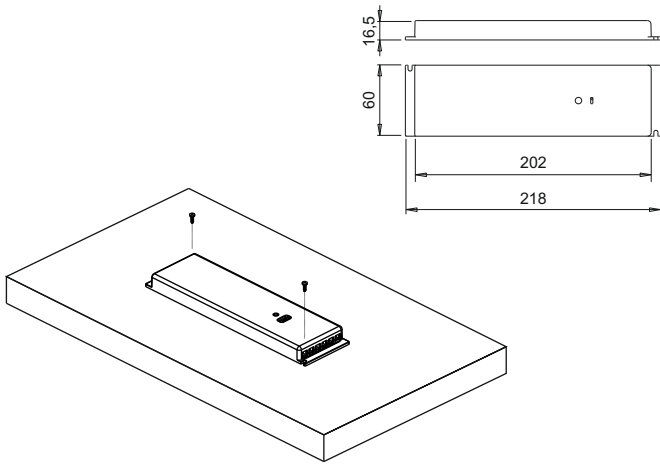


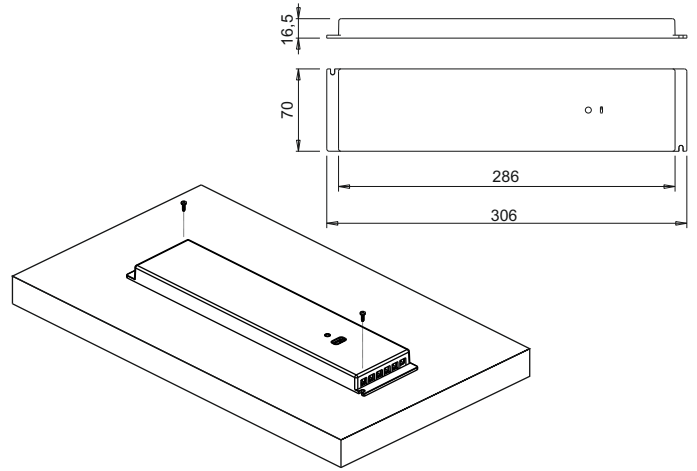


**EASi DRIVER**

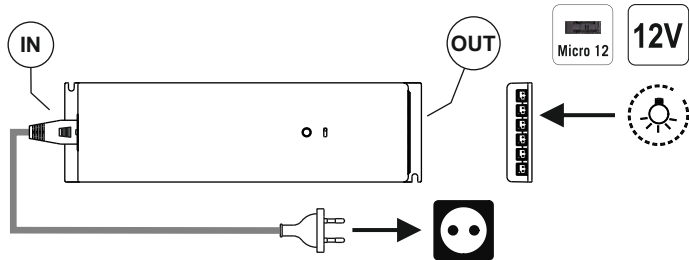
**EASi DRIVER 36W**



**EASi DRIVER 72W**

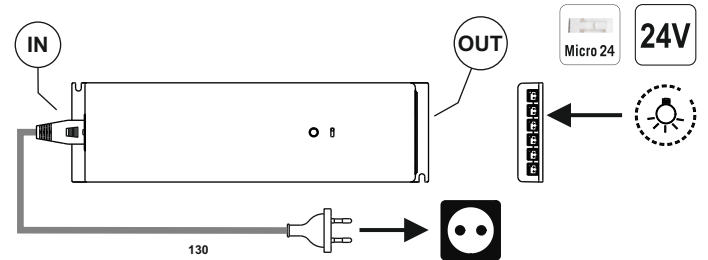
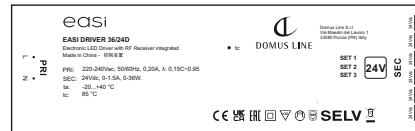


**EASi DRIVER 36/12R**



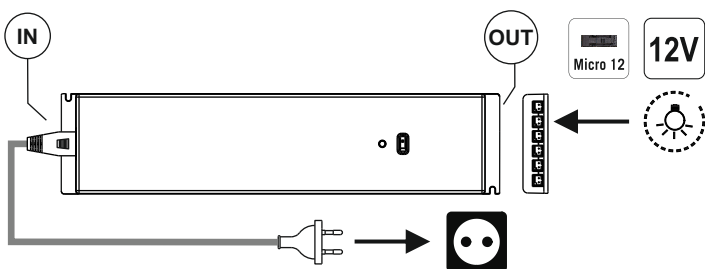
PRI: 220-240Vac, 50/60Hz, 0.20A, cos (φ) 0.95  
SEC: 12Vdc, 0-3A, 36W max.  
ta: -20...+40°C tc: max. 90 °C

**EASi DRIVER 36/24D**



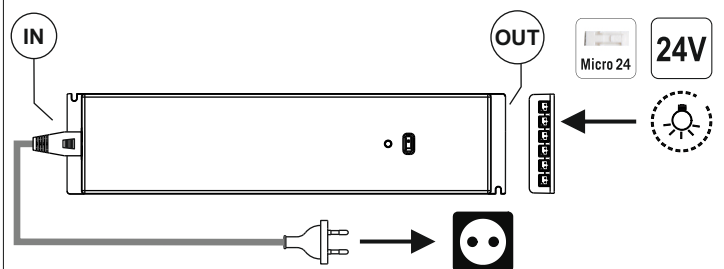
PRI: 220-240Vac, 50/60Hz, 0.20A, cos (φ) 0.95  
SEC: 24Vdc, 0-1.5A, 36W max.  
ta: -20...+40°C tc: max. 85 °C

**EASi DRIVER 72/12R**



PRI: 220-240Vac, 50/60Hz, 0.35A, cos (φ) 0.95  
SEC: 12Vdc, 0-6A, 72W max.  
ta: -20...+40°C tc: max. 90 °C

**EASi DRIVER 72/24D**



PRI: 220-240Vac, 50/60Hz, 0.35A, cos (φ) 0.95  
SEC: 24Vdc, 0-3A, 72W max.  
ta: -20...+40°C tc: max. 90 °C

