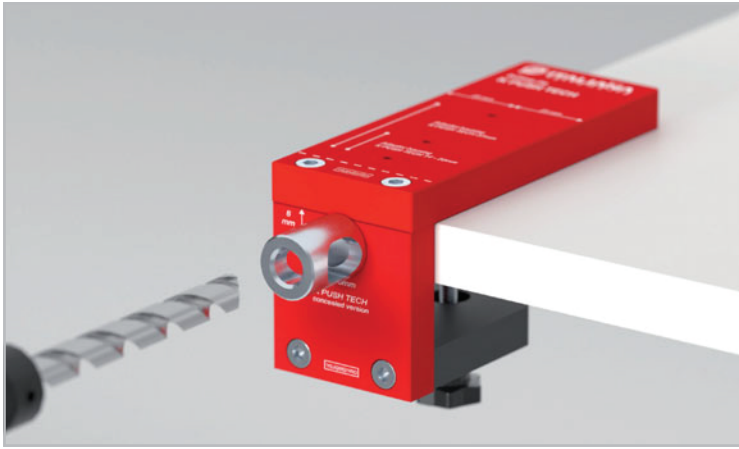

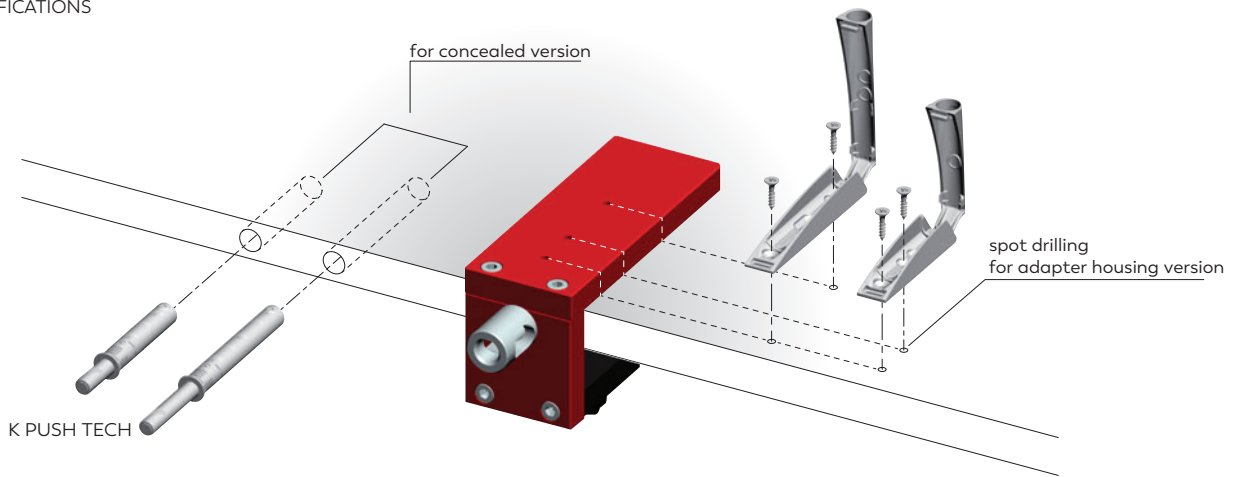


DRILLING JIG FOR K PUSH TECH

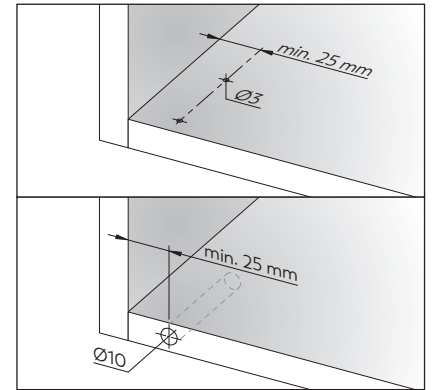
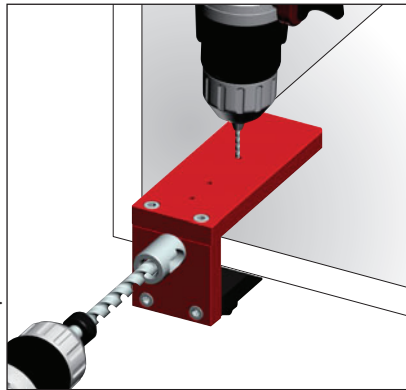
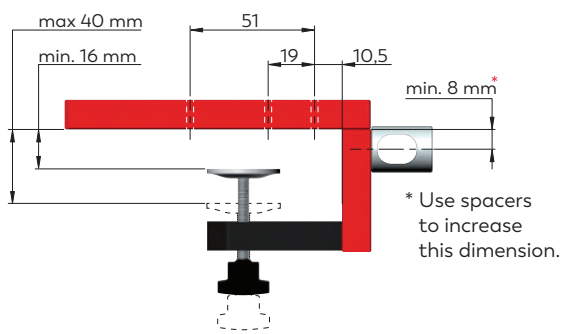


16 - 40 mm 

GENERAL SPECIFICATIONS



APPLICATION OPTIONS



DRILLING SPACERS FOR OTHER PANEL THICKNESSES

