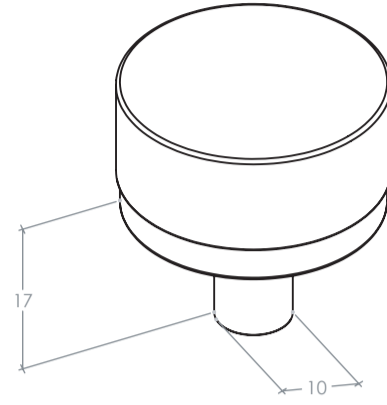
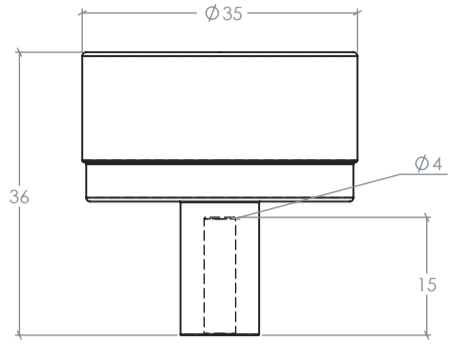


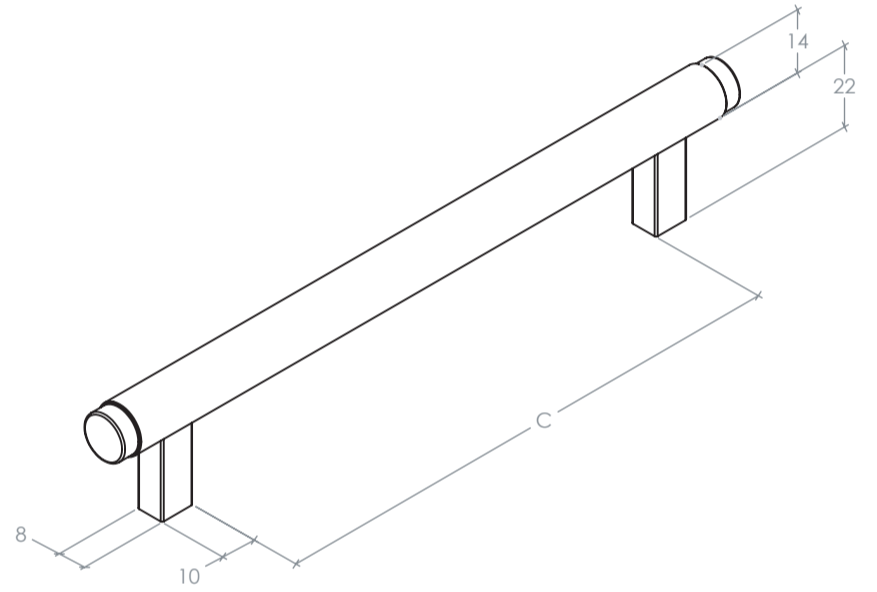
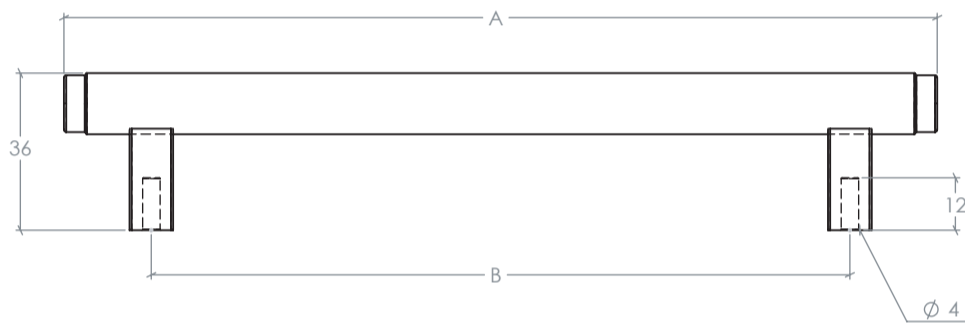
Bellevue Range



Part No.

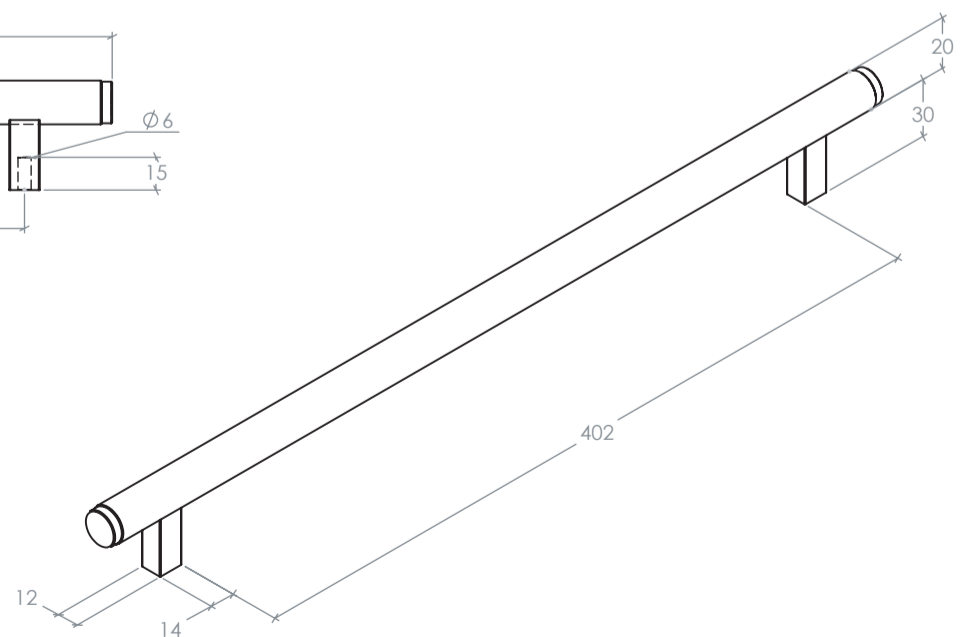
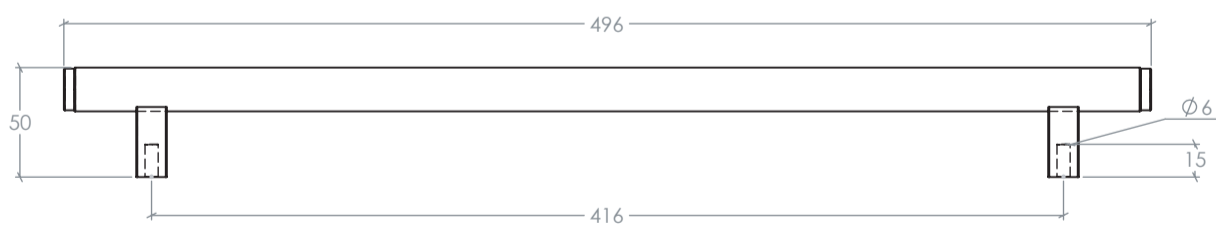
BVKKN035

BVKPL035



| Part No. | A | B | C |
|----------|-----|-----|-----|
| BVPKN160 | 200 | 160 | 150 |
| BVPPL160 | 200 | 160 | 150 |
| BVPKN320 | 370 | 320 | 310 |
| BVPPL320 | 370 | 320 | 310 |

A = Overall handle length
 B = Distance between hole centres
 C = Space between bars



Part No.

BVAPKN416

BVAPPL416